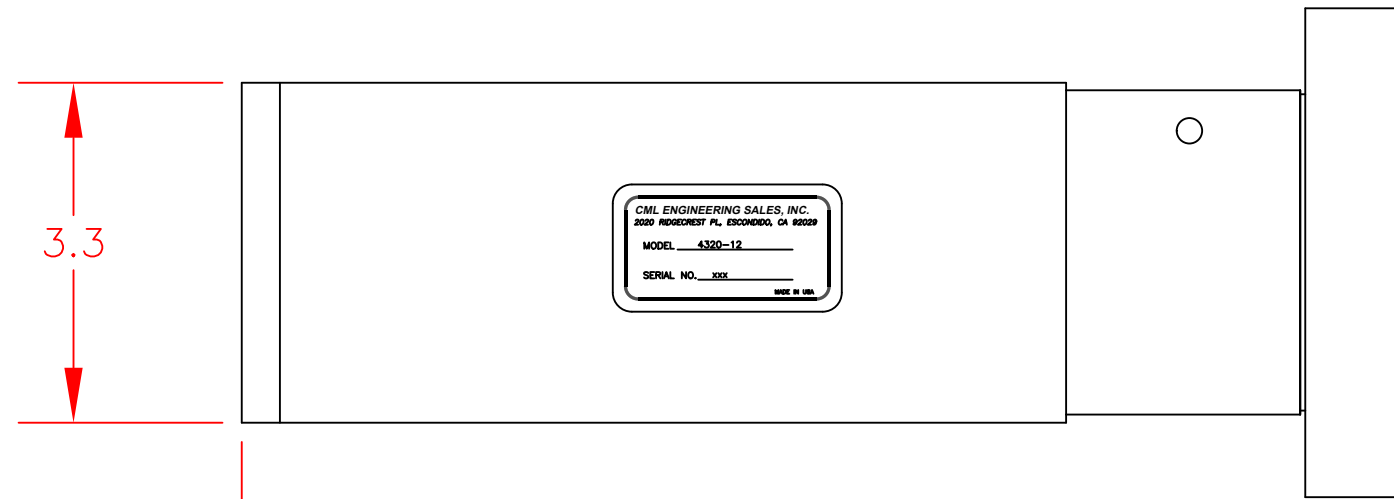
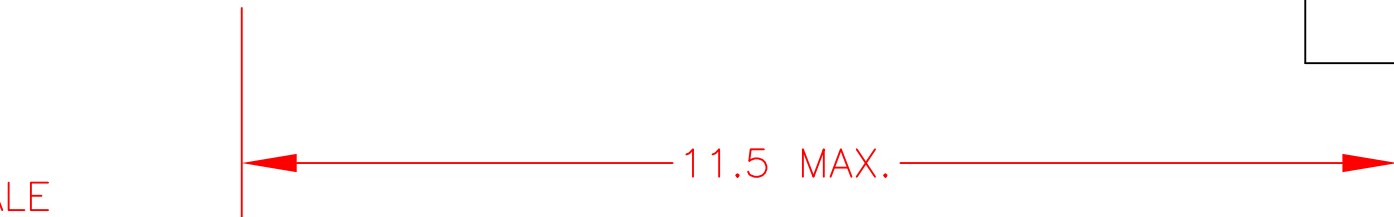


REVISIONS				
ZONE	REV	DESCRIPTION	DATE	APPROVED
	0	RELEASED FOR PRODUCTION	01/23/2006	Lou Nielsen

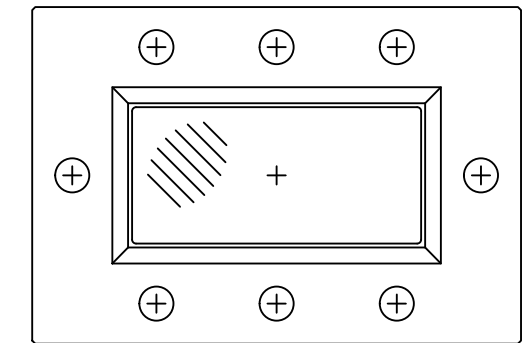
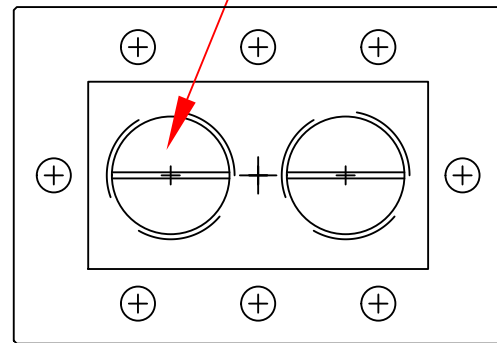
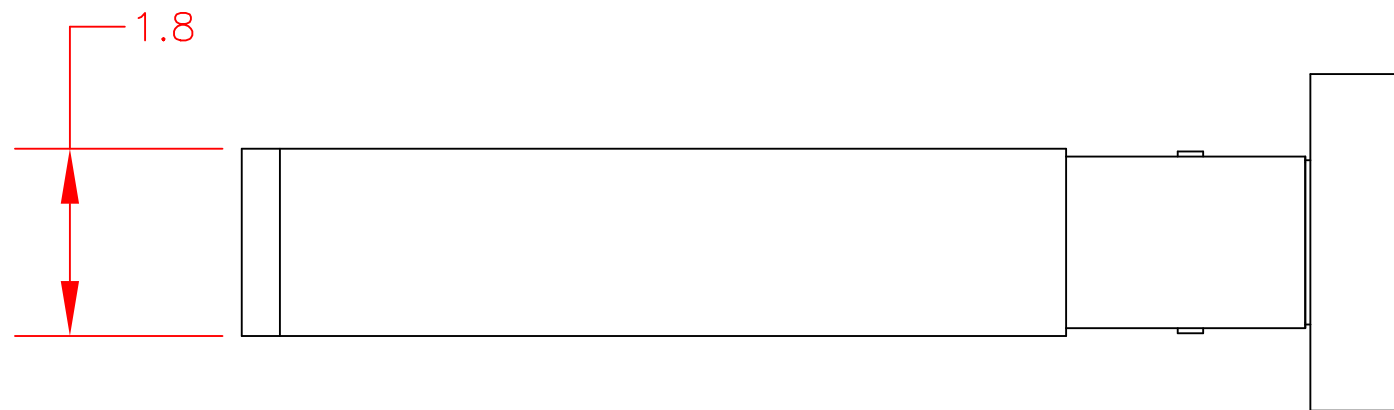


CML ENGINEERING SALES, INC.  
 2020 RIDGECREST PL., ESCONDIDO, CA 92029  
 MODEL 4320-12  
 SERIAL NO. XXXX  
 MADE IN USA



"LIL" VACUUM FLANGE

1" NPT FEMALE  
 TYP. 2 PL.



<b>TOLERANCES</b> (UNLESS OTHERWISE SPECIFIED) DECIMALS: 1 PLACE +/- .050 2 PLACE +/- .020 3 PLACE +/- .005 FRACTIONS: +/- 1/16 ANGLES: +/- 1/2 DEGREE		<b>CML Engineering, Inc.</b> 2020 Ridgcrest Place, Escondido, CA 92029 TEL: 760-432-8490 FAX: 760-432-8350			
FINISH: 63 U INCH OR BETTER EDGES: BREAK EDGES 1/32 R MAX.		SIZE B	CAGE CODE 12LK8	DWG NO. 4320-12-0000	REV 0
MATERIAL: REFERENCE		SCALE NONE	Drawn By: L/JN Date: 01/23/2006	SHEET 1 of 1	

**CML Engineering, Inc.**

2020 Ridgcrest Place, Escondido, CA 92029 TEL: 760-432-8490 FAX: 760-432-8350

**WATERLOAD, MODEL 4320-12**

SIZE B CAGE CODE 12LK8 DWG NO. 4320-12-0000 REV 0

SCALE NONE Drawn By: L/JN Date: 01/23/2006 SHEET 1 of 1