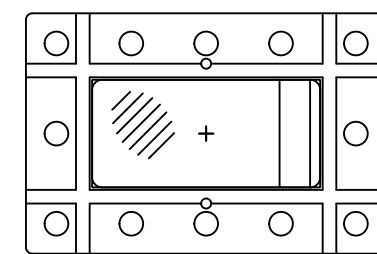
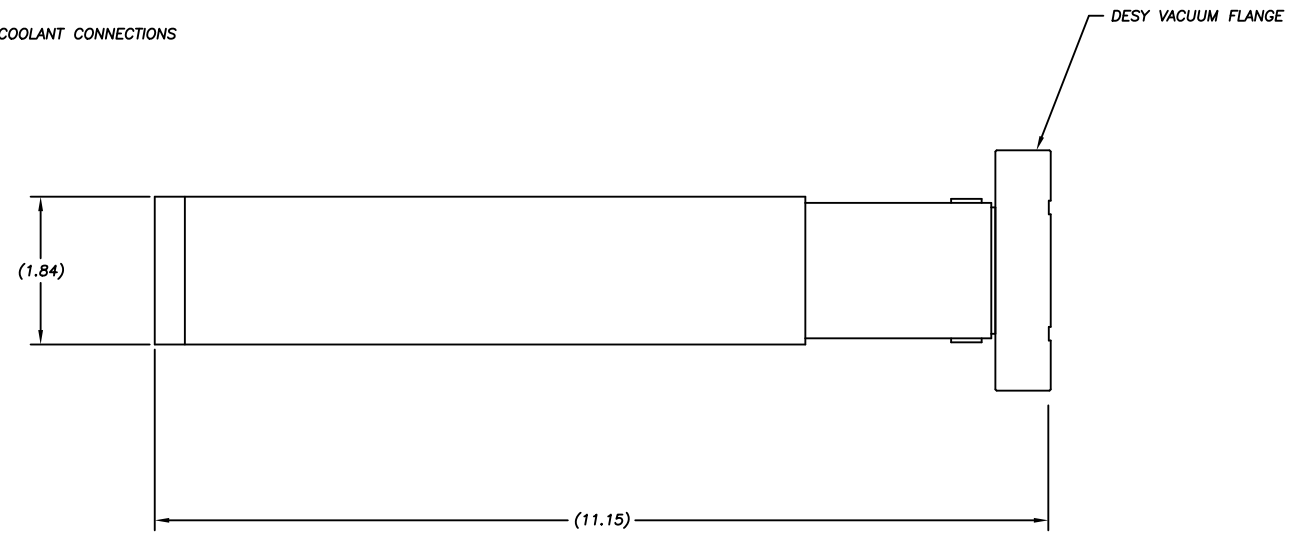
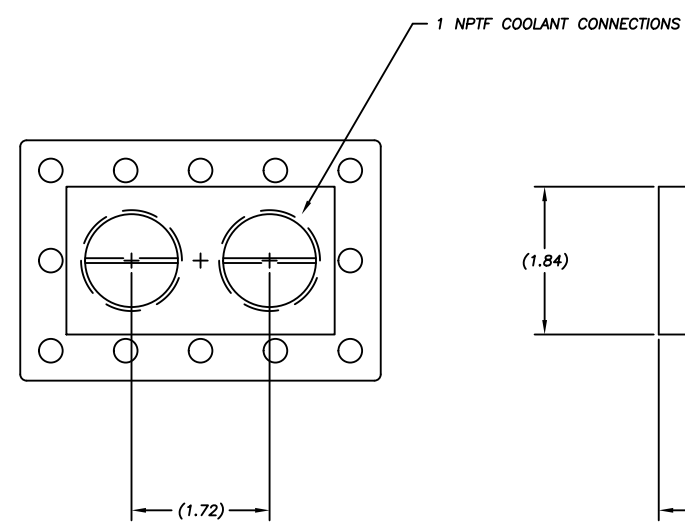
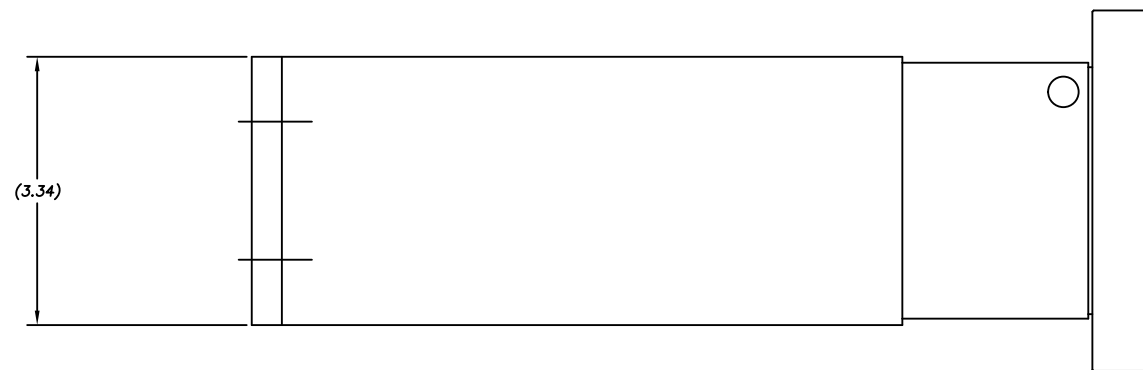


RELEASE / REVISION		DATE	APPROVAL
SYM	DESCRIPTION		
REL.	PER ENGR.	REL #	



QTY REQ'D	PART OR IDENT. NUMBER	NOMENCLATURE OR DESCRIPTION	ITEM NO.
LIST OF MATERIALS OR PARTS LIST			
UNLESS OTHERWISE SPECIFIED		BY	DATE
1/25 MAX. ALL MACHINED SURFACES PER MIL-STD-10A		DR	
BREAK ALL SHARP EDGES 1/32 MAX. REMOVE ALL BURRS.		CHK	
TOLERANCES:		ENGR	
DECIMALS	FRACTIONS	MFG	
.X ±.05	±1/16		
XX ±.02	ANGLES		
XXX ±.005	±0°30'		
MATERIAL:		THIS DRAWING IS PROPERTY OF CML ENGINEERING. REPRODUCTION PROHIBITED WITHOUT WRITTEN PERMISSION.	
FINISH:		DRAWING NO. MODEL 4320-07	
		OUTLINE DRAWING	
		DRAWING NO. 4320-07-0000	
		REV. 0	
		SCALE 1=1	
		SHEET 1 of 1	

REV.	NEXT ASSY	REF. NO.
0		