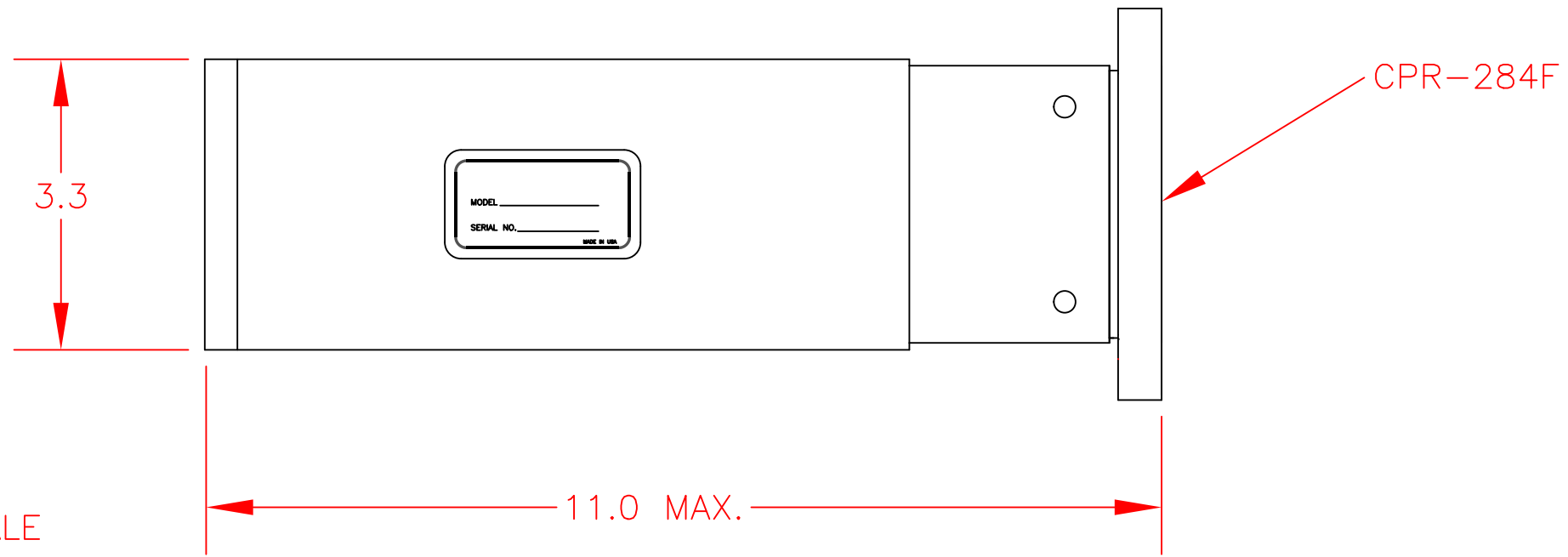
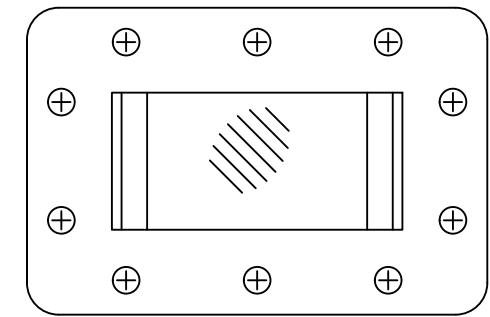
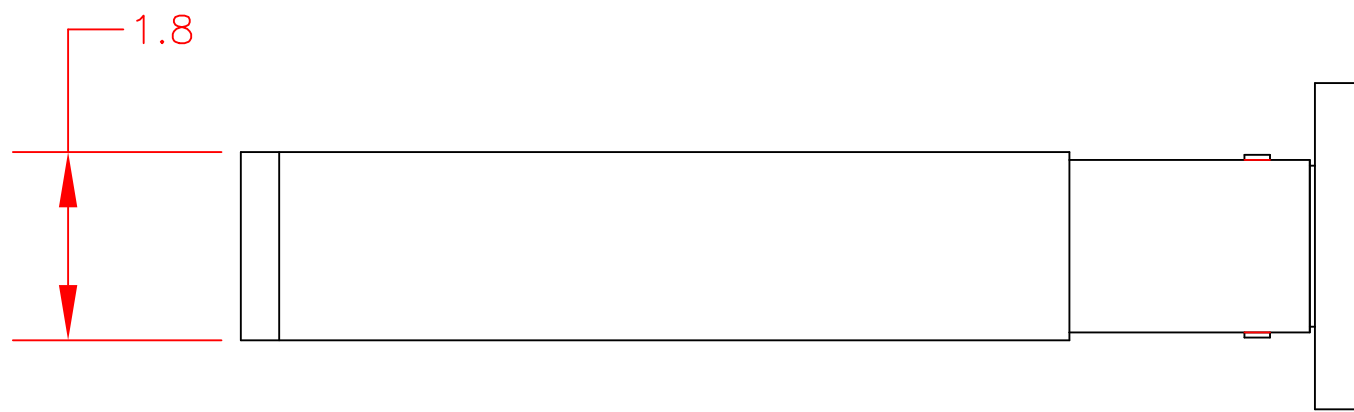
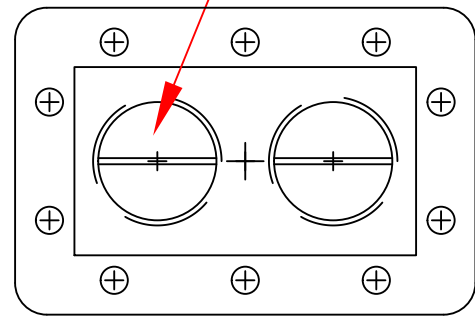


REVISIONS				
ZONE	REV	DESCRIPTION	DATE	APPROVED
	0	RELEASED FOR PRODUCTION	4/10/2012	Lou Nielsen



1" NPT FEMALE  
TYP. 2 PL.



<b>TOLERANCES</b> (UNLESS OTHERWISE SPECIFIED) DECIMALS: 1 PLACE +/- .050 2 PLACE +/- .020 3 PLACE +/- .005 FRACTIONS: +/- 1/16 ANGLES: +/- 1/2 DEGREE FINISH: 63 U INCH OR BETTER EDGES: BREAK EDGES 1/32 R MAX. MATERIAL: REFERENCE		<b>CML Engineering, Inc.</b> 2020 Ridgecrest Place, Escondido, CA 92029 TEL: 760-432-8490 FAX: 760-432-8350 <b>WATERLOAD, MODEL 4320-26</b>	
SIZE B	CAGE CODE 12LK8	DWG NO. 4320-26-0000	REV 0
SCALE NONE	Drawn By: L/JN	Date: 4/10/2012	SHEET 1 of 1