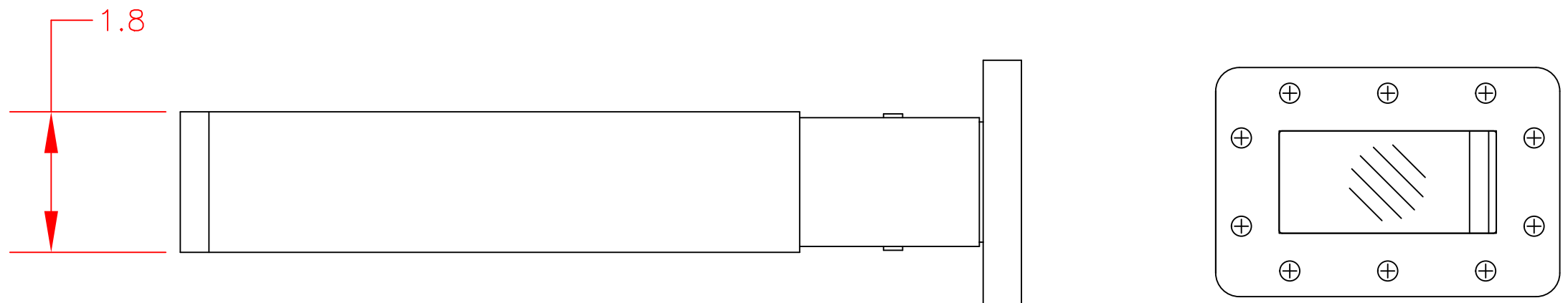
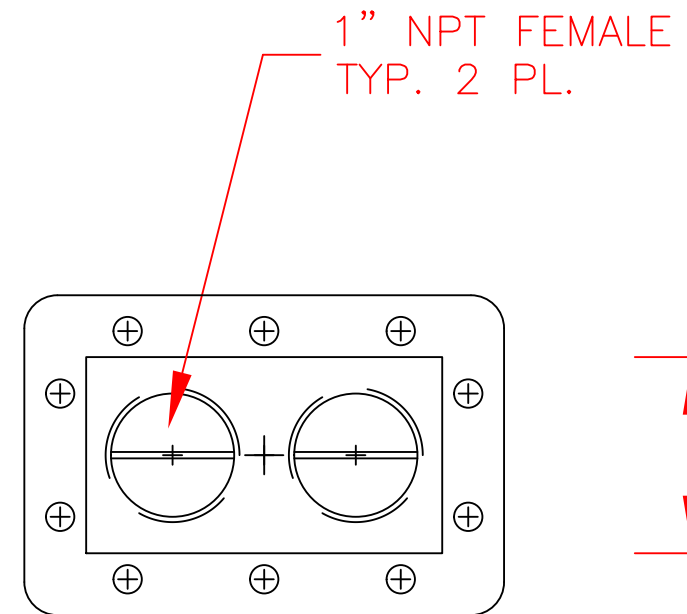
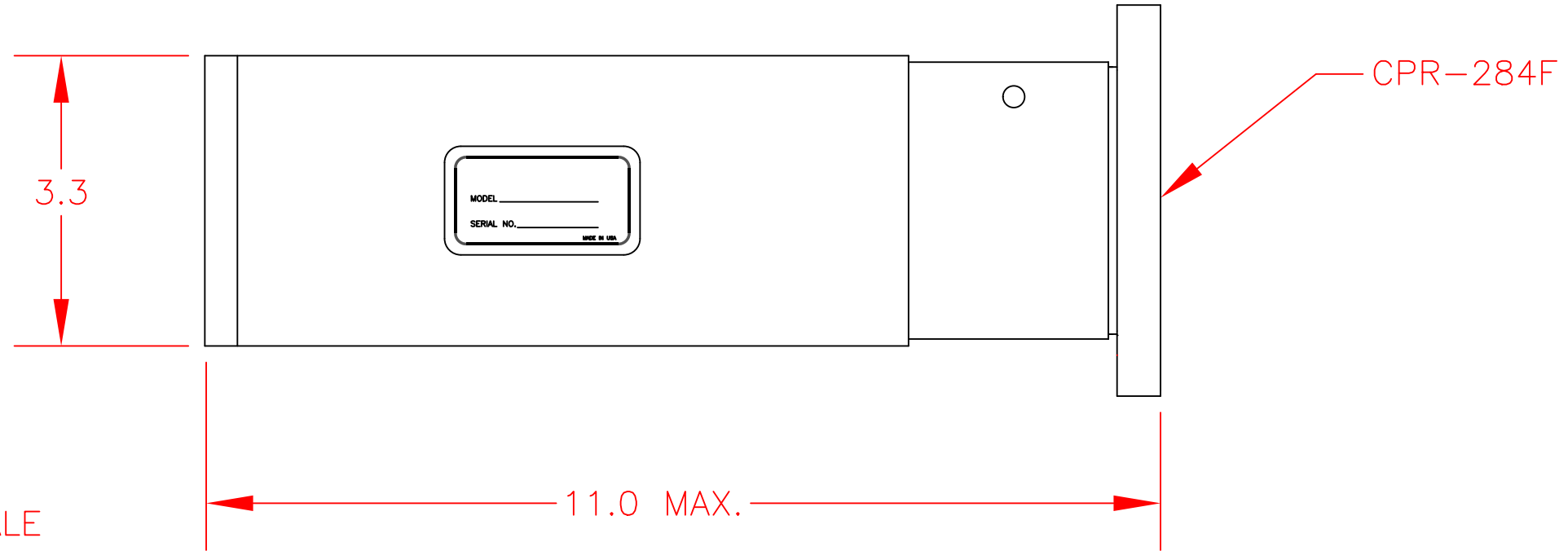


REVISIONS				
ZONE	REV	DESCRIPTION	DATE	APPROVED
	0	PRELIMINARY	01/23/2006	Lou Nielsen



TOLERANCES (UNLESS OTHERWISE SPECIFIED) DECIMALS: 1 PLACE +/- .050 2 PLACE +/- .020 3 PLACE +/- .005 FRACTIONS: +/- 1/16 ANGLES: +/- 1/2 DEGREE		CML Engineering, Inc. 2020 Ridgecrest Place, Escondido, CA 92029 TEL: 760-432-8490 FAX: 760-432-8350			
FINISH: 63 U INCH OR BETTER EDGES: BREAK EDGES 1/32 R MAX.		SIZE B	CAGE CODE 12LK8	DWG NO. 4320-19-0000	REV 1
MATERIAL: REFERENCE		SCALE NONE	Drawn By: L/JN Date: 01/23/2006	SHEET 1 of 1	

CML Engineering, Inc.

2020 Ridgecrest Place, Escondido, CA 92029 TEL: 760-432-8490 FAX: 760-432-8350

WATERLOAD, MODEL 4320-19

SIZE **B** CAGE CODE **12LK8** DWG NO. **4320-19-0000** REV **1**

MATERIAL: REFERENCE SCALE **NONE** Drawn By: L/JN Date: 01/23/2006 SHEET **1 of 1**