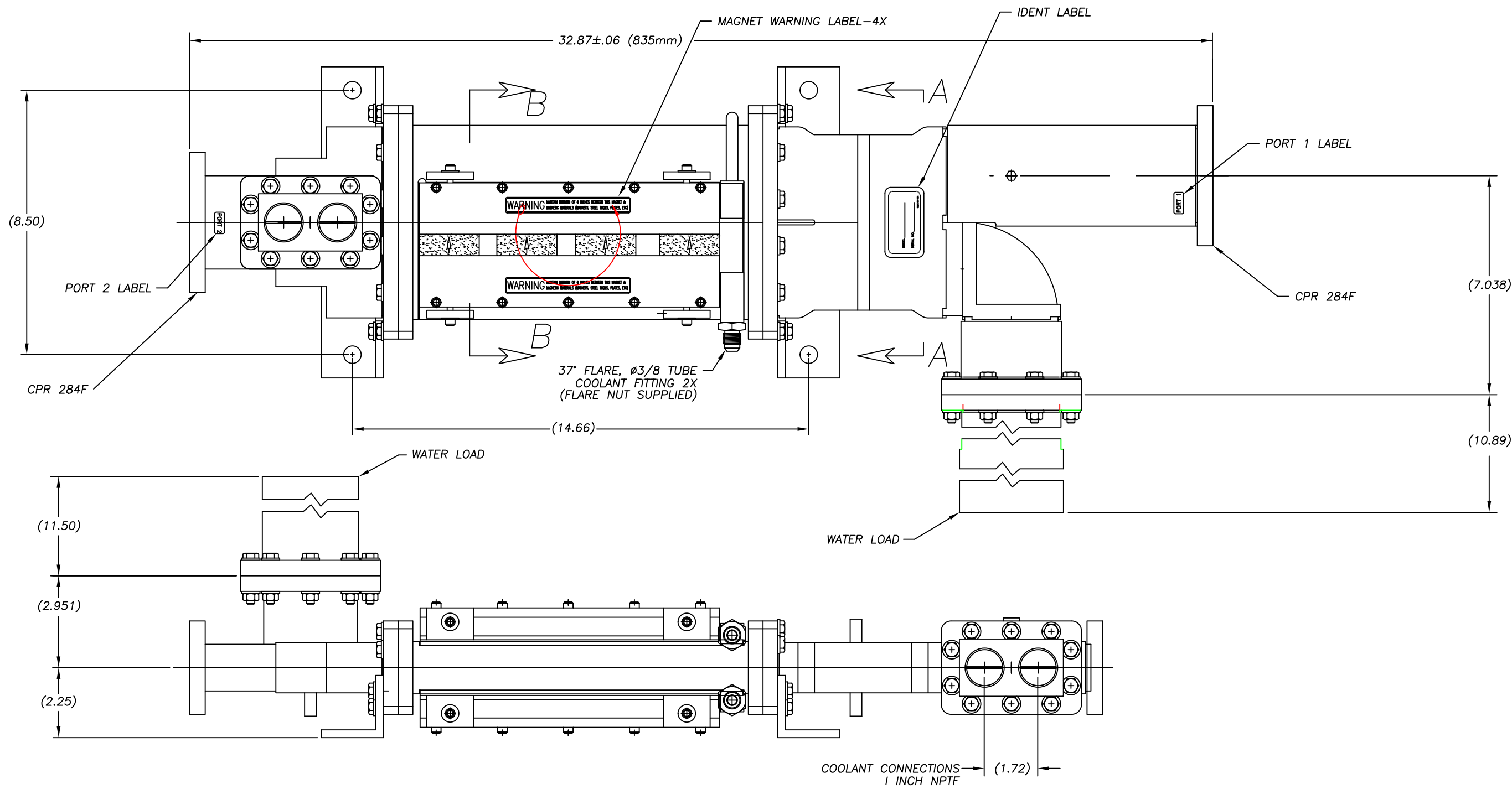


REVISIONS				
ZONE	REV	DESCRIPTION	DATE	APPROVED
	0	RELEASED FOR PRODUCTION	5/15/2000	Lou Nielsen



TOLERANCES
(UNLESS OTHERWISE SPECIFIED)

DECIMALS:	1 PLACE	+/- .050
	2 PLACE	+/- .020
	3 PLACE	+/- .005
FRACTIONS:	+/- 1/16	
ANGLES:	+/- 1/2 DEGREE	

FINISH: 63 U INCH OR BETTER
EDGES: BREAK EDGES 1/32 R MAX.

MATERIAL: REFERENCE

CML Engineering, Inc.
2020 Ridgecrest Place, Escondido, CA 92029 TEL: 760-432-8490 FAX: 760-432-8350

CIRCULATOR, MODEL 2320-13

SIZE B	CAGE CODE 1ZLK8	DWG NO. 2320-13-0000	REV 0
SCALE NONE	Drawn By: L/JN	Date: 5/12/2000	SHEET 1 of 1