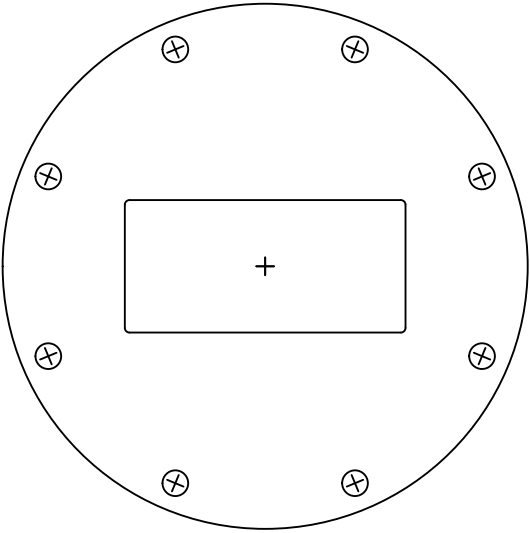
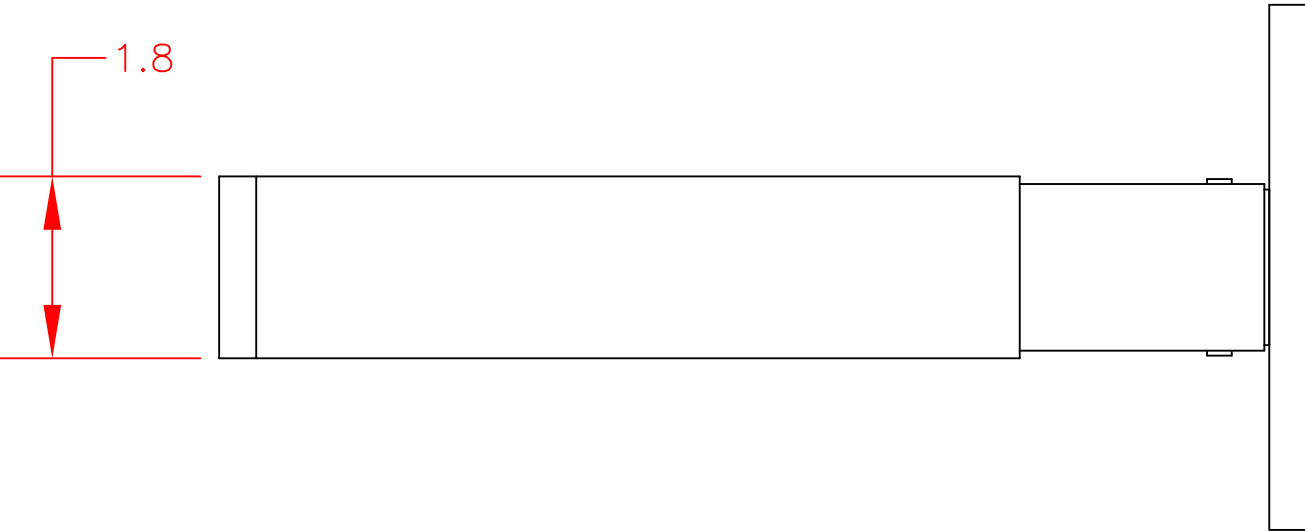
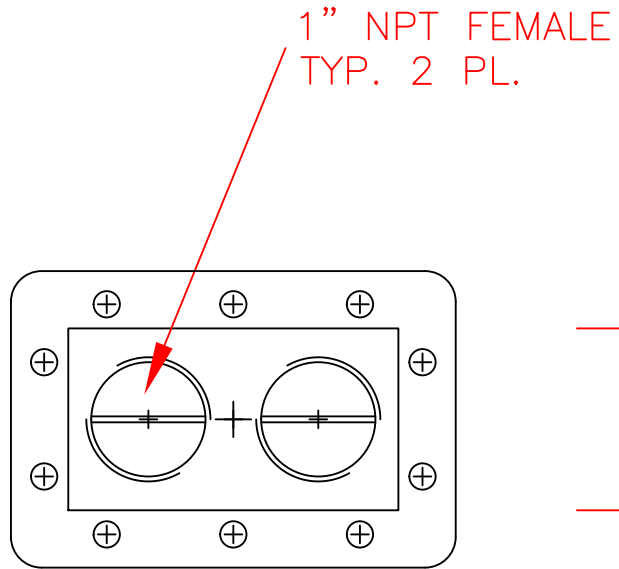
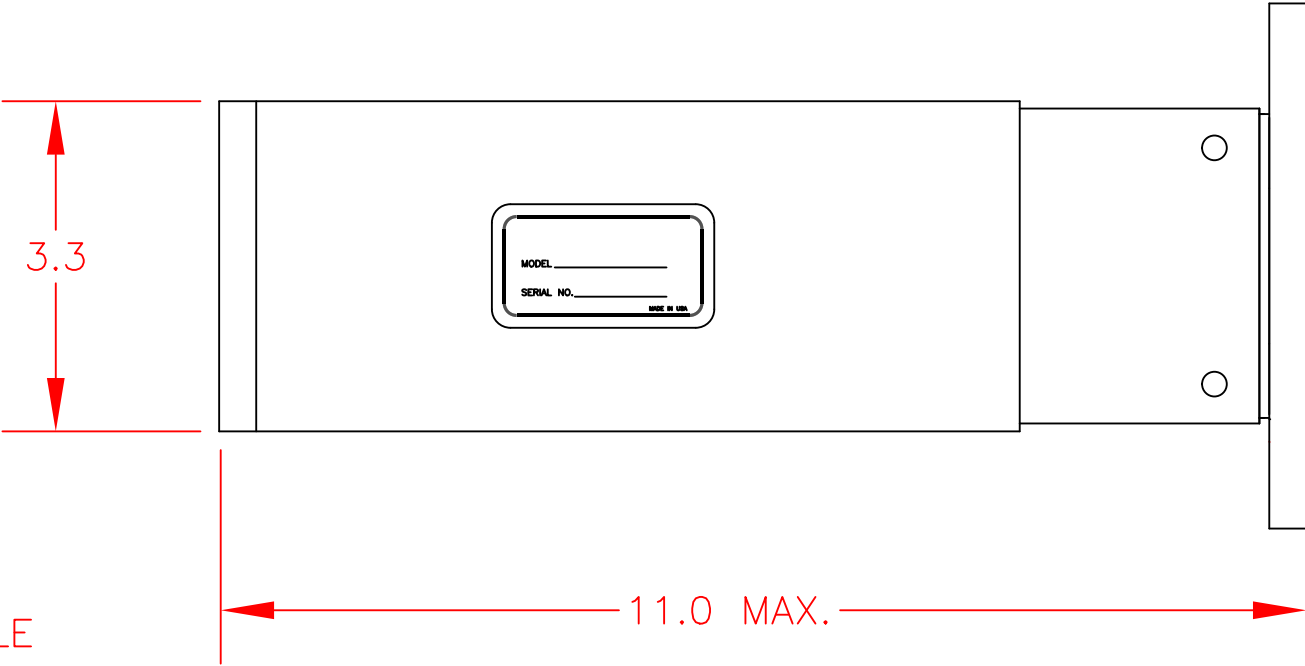


REVISIONS				
ZONE	REV	DESCRIPTION	DATE	APPROVED
	0	RELEASED FOR PRODUCTION	01/23/2006	Lou Nielsen



TOLERANCES
(UNLESS OTHERWISE SPECIFIED)

DECIMALS: 1 PLACE +/- .050
 2 PLACE +/- .020
 3 PLACE +/- .005

FRACTIONS: +/- 1/16
 ANGLES: +/- 1/2 DEGREE

FINISH: 63 U INCH OR BETTER
 EDGES: BREAK EDGES 1/32 R MAX.

MATERIAL: REFERENCE

CML Engineering, Inc.
 2020 Ridgecrest Place, Escondido, CA 92029 TEL: 760-432-8490 FAX: 760-432-8350

WATERLOAD, MODEL 4320-21

SIZE B	CAGE CODE	DWG NO. 4320-21-0000	REV 0
SCALE NONE	Drawn By: L/JN	Date: 01/23/2006	SHEET 1 of 1