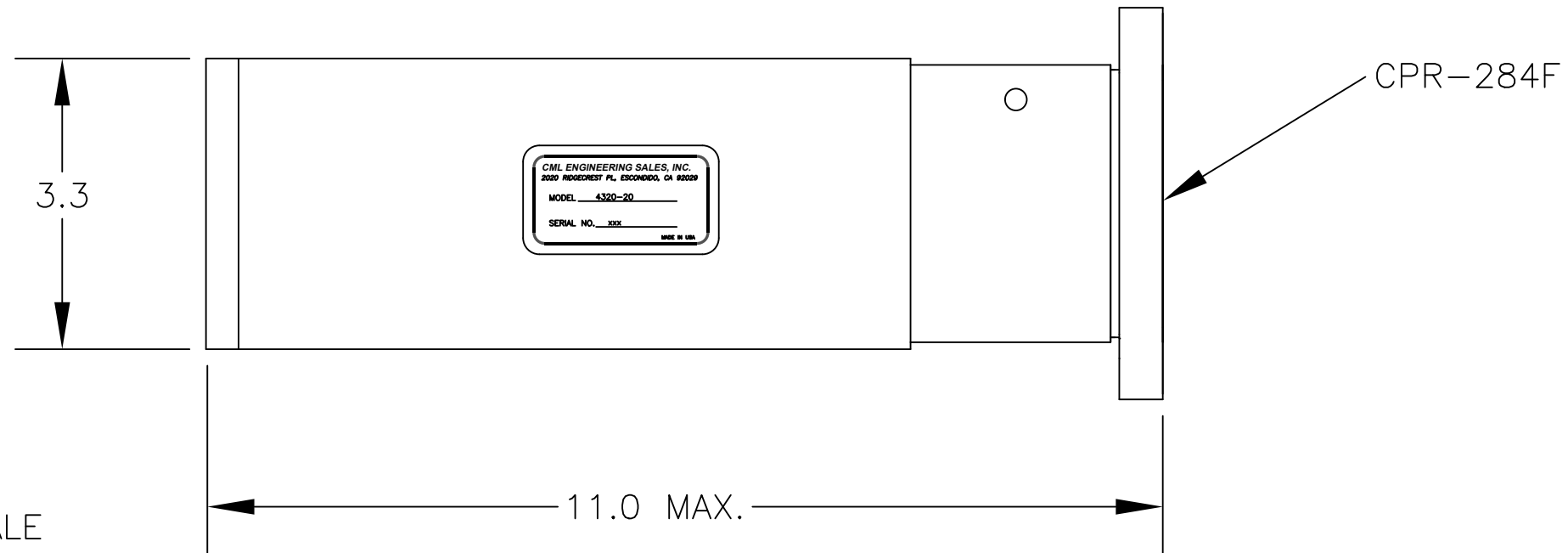
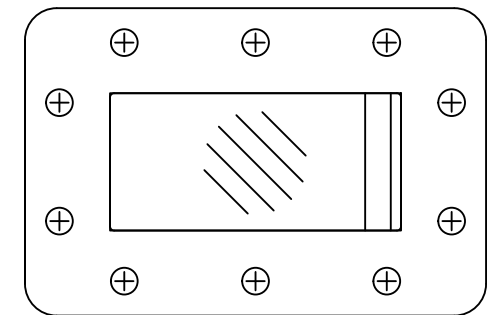
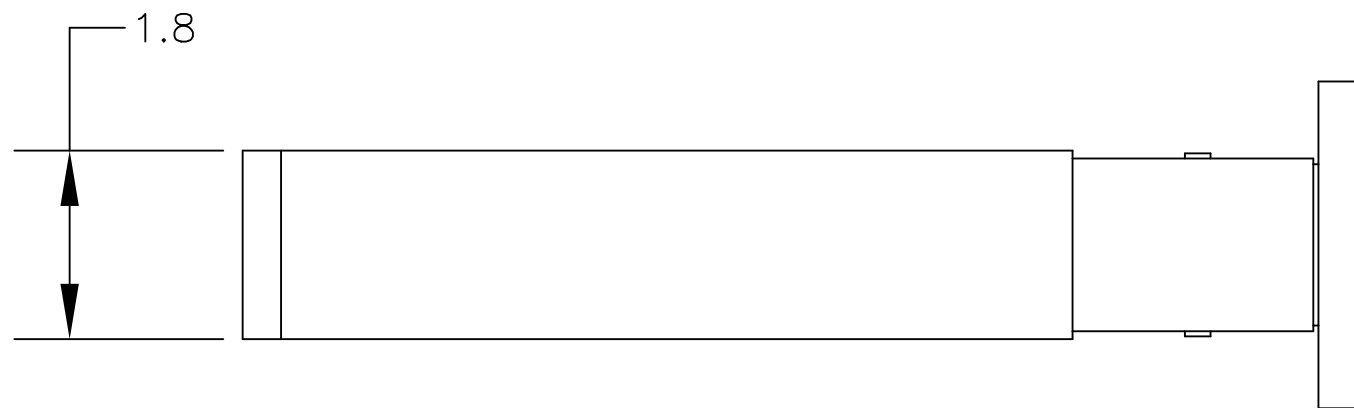
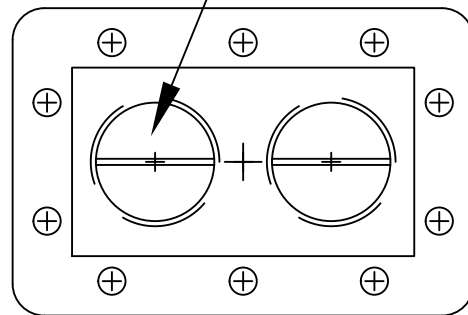


REVISIONS				
ZONE	REV	DESCRIPTION	DATE	APPROVED
	0	PRELIMINARY	01/23/2006	Lou Nielsen



1" NPT FEMALE
TYP. 2 PL.



**TOLERANCES
(UNLESS OTHERWISE SPECIFIED)**

DECIMALS: 1 PLACE +/- .050
2 PLACE +/- .020
3 PLACE +/- .005

FRACTIONS: +/- 1/16
ANGLES: +/- 1/2 DEGREE

FINISH: 63 U INCH OR BETTER
EDGES: BREAK EDGES 1/32 R MAX.

MATERIAL: REFERENCE

CML Engineering, Inc.
2020 Ridgcrest Place, Escondido, CA 92029 TEL: 760-432-8490 FAX: 760-432-8350

WATERLOAD, MODEL 4320-20

SIZE B	CAGE CODE 12LK8	DWG NO. 4320-20-0000	REV 0
SCALE NONE		Drawn By: L/JN Date: 01/23/2006	SHEET 1 of 1