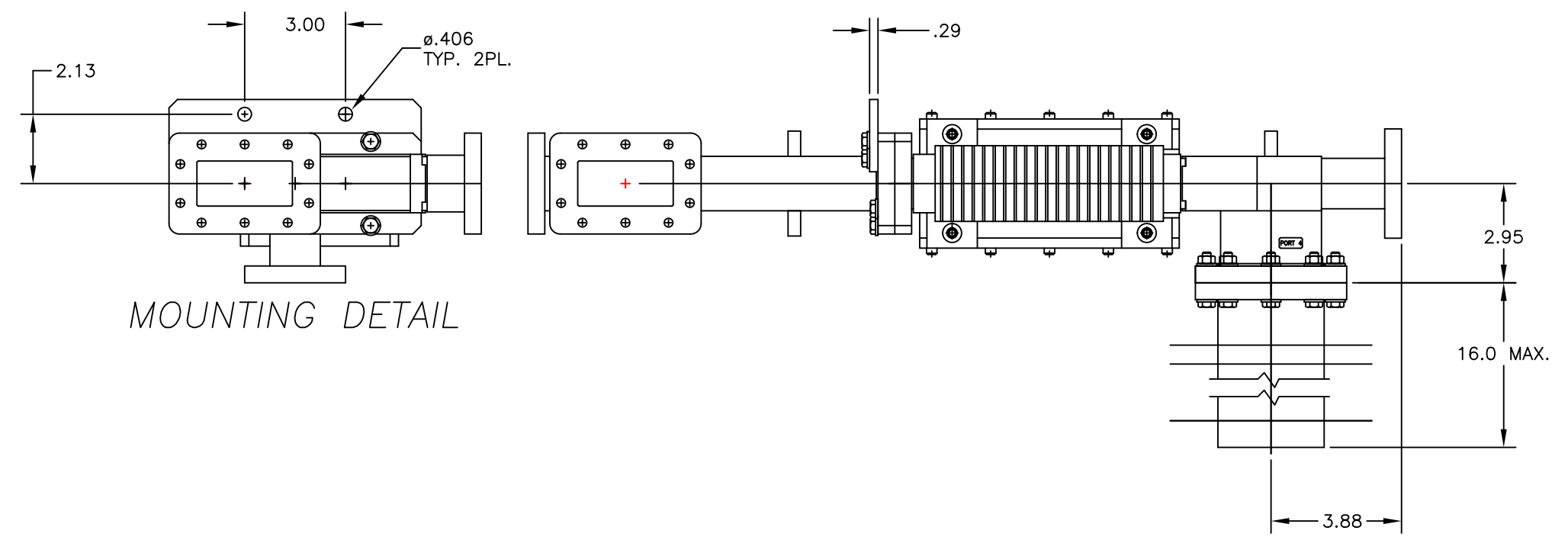
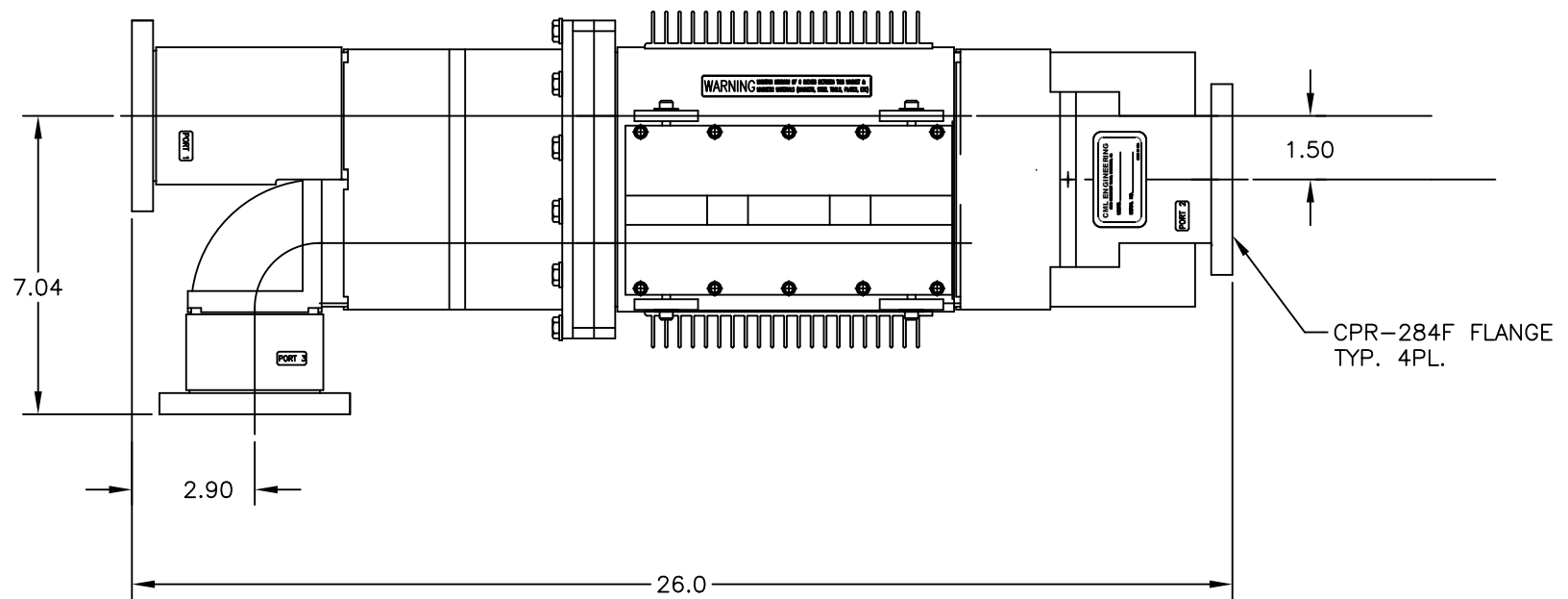


REVISIONS				
ZONE	REV	DESCRIPTION	DATE	APPROVED
	0	RELEASED FOR PRODUCTION	4/9/2006	Lou Nielsen



<b>TOLERANCES</b> (UNLESS OTHERWISE SPECIFIED) DECIMALS: 1 PLACE +/- .050 2 PLACE +/- .020 3 PLACE +/- .005 FRACTIONS: +/- 1/16 ANGLES: +/- 1/2 DEGREE FINISH: 63 U INCH OR BETTER EDGES: BREAK EDGES 1/32 R MAX. MATERIAL: REFERENCE		<b>CML Engineering, Inc.</b> 2020 Ridgecrest Place, Escondido, CA 92029 TEL: 760-432-8490 FAX: 760-432-8350 <b>OUTLINE, MODEL 2320-10</b>	
SIZE <b>B</b>	CAGE CODE <b>1ZLK8</b>	DWG NO. <b>2320-10-0000</b>	REV <b>0</b>
SCALE <b>NONE</b>	Drawn By: L/JN Date: 4/8/2006	SHEET <b>1 of 1</b>	