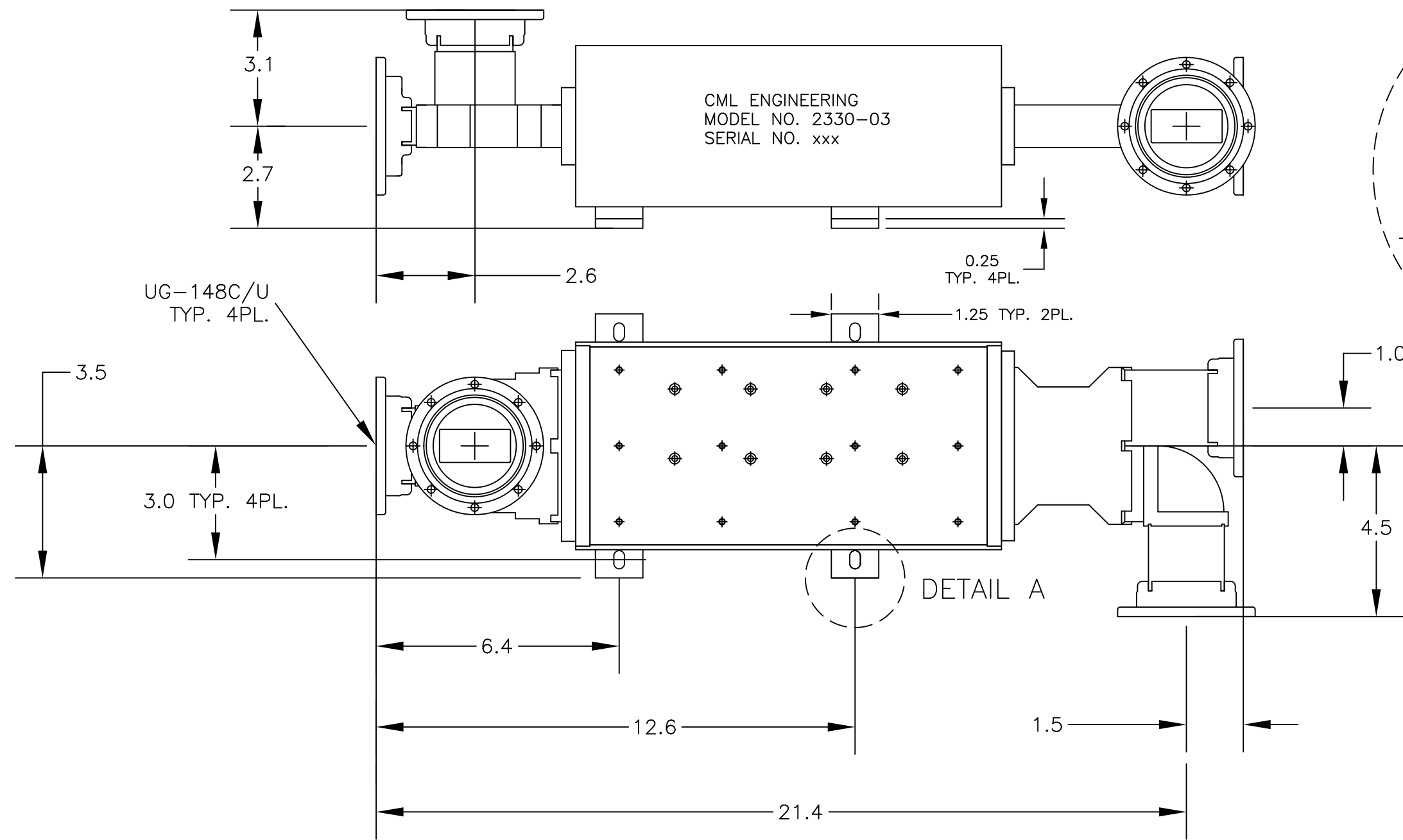


REVISIONS				
ZONE	REV	DESCRIPTION	DATE	APPROVED
	0	RELEASED FOR PRODUCTION	4/27/2005	Lou Nielsen



MATERIAL		REFERENCE		
TOLERANCES (UNLESS OTHERWISE SPECIFIED) DECIMALS: 1 PLACE ± .050 2 PLACE ± .020 3 PLACE ± .005 FRACTIONS: ± 1/16 ANGLES: ± 1/2 DEGREE		CML Engineering, Inc. <small>2020 Ridgecrest Place, Escondido, CA 92029 TEL: 760-432-8490 FAX: 760-432-8350</small>		
		OUTLINE, MODEL 2330-03		
SIZE	CAGE CODE	DWG NO.	REV	
B	1ZLK8	2330-03-0000	0	
SCALE	NONE	Drawn By: L/JN Date: 9/15/2004	SHEET	1 of 1