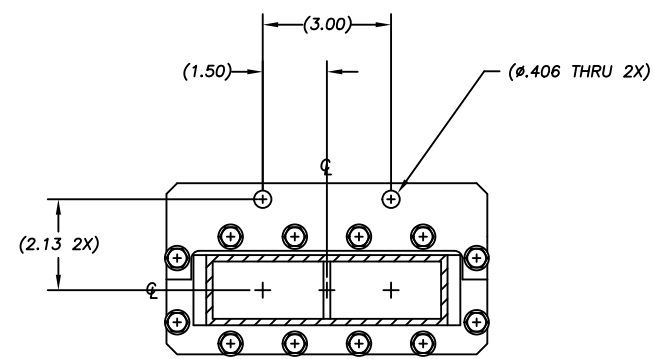
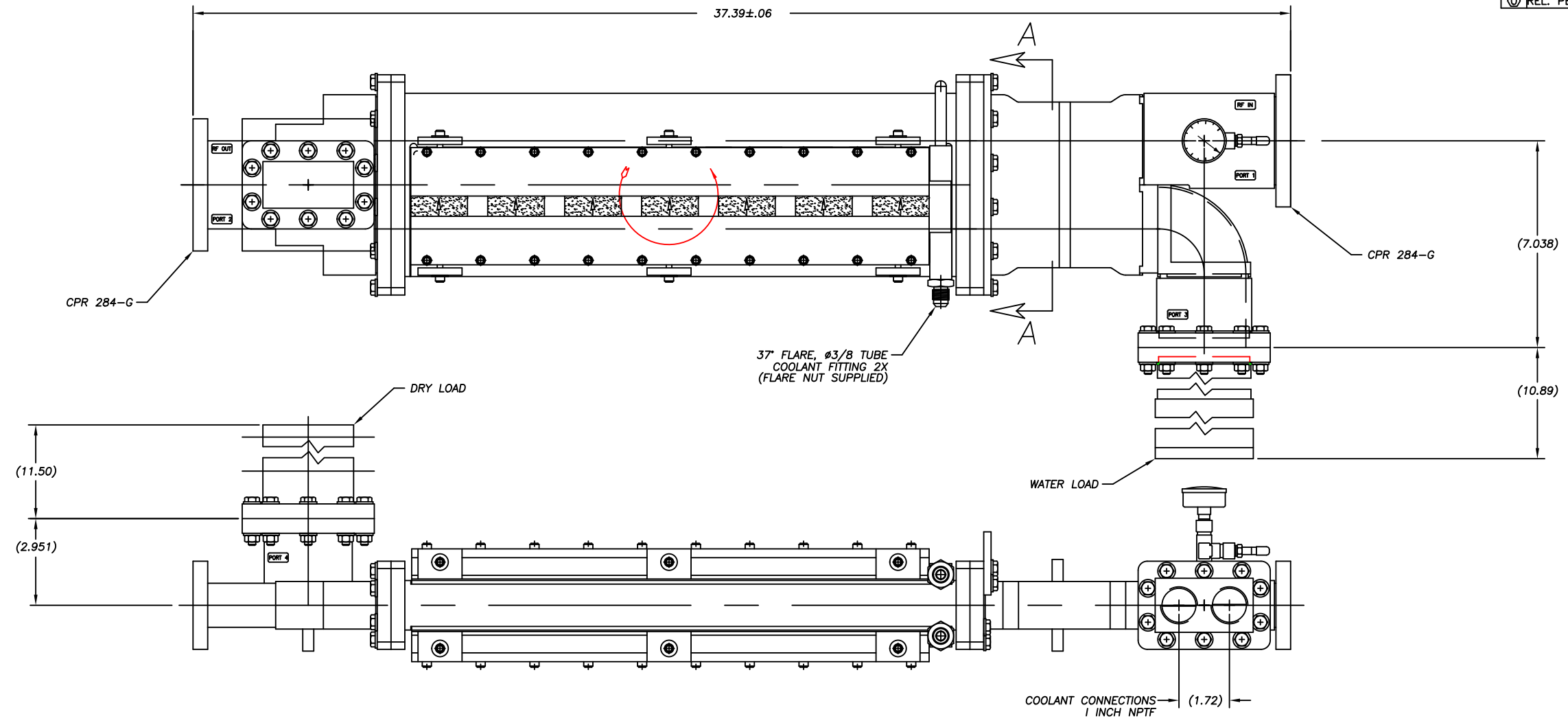


RELEASE / REVISION		DATE	APPROVAL
SYM	DESCRIPTION		
REL.	PER ENGR.	REL #	



SECTION A-A
ROTATED 90° CW
MOUNTING DETAIL

QTY REQ'D	PART OR IDENT. NUMBER	NOMENCLATURE OR DESCRIPTION	ITEM NO.
LIST OF MATERIALS OR PARTS LIST			
UNLESS OTHERWISE SPECIFIED		BY	DATE
125	MAX. ALL MACHINED SURFACES PER MIL-STD-10A.	DR <i>Jim Miller</i>	12/95
	BREAK ALL SHARP EDGES 1/32 MAX. REMOVE ALL BURRS.	ENGR	
		MFG	
TOLERANCES:		Q.A.	
DECIMALS	.X ±.05	THIS DRAWING IS PROPERTY OF CML ENGINEERING. REPRODUCTION PROHIBITED WITHOUT WRITTEN PERMISSION.	
FRACTIONS	±1/16		
ANGLES	±.02		
	±5/30°		
MATERIAL:		FINISH:	
0			
REV.	NEXT ASSY	REF. NO.	

CML ENGINEERING SALES, INC.
684 RANCHEROS DR., SAN MARCOS, CA 92069

MODEL 2320-03
OUTLINE DRAWING

DRAWING NO. 2320-03-0000 REV. 0

SCALE 1=2 SHEET 1 of 1