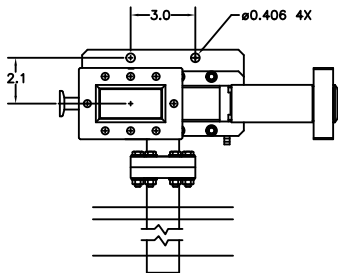
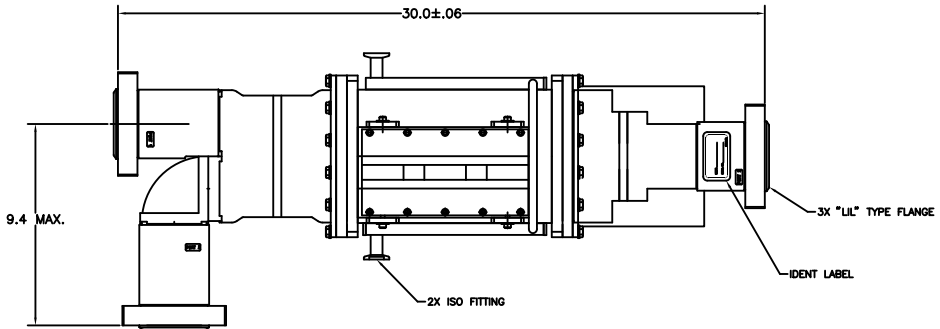
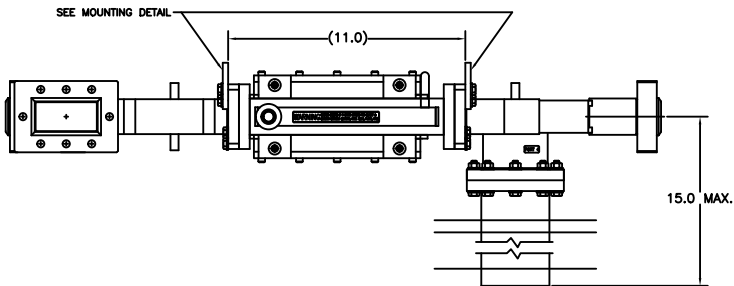


REVISIONS				
ZONE	REV	DESCRIPTION	DATE	APPROVED
	0	RELEASED FOR PRODUCTION	3/20/2006	Lou Nielsen



MOUNTING DETAIL



TOLERANCES  
 (UNLESS OTHERWISE SPECIFIED)  
 DECIMALS: 1 PLACE  $\pm .050$   
 2 PLACE  $\pm .020$   
 3 PLACE  $\pm .005$   
 FRACTIONS:  $\pm 1/16$   
 ANGLES:  $\pm 1/2$  DEGREE

**CML Engineering, Inc.**

2020 Ridgcrest Place, Escondido, CA 92029 TEL: 760-432-8490 FAX: 760-432-8350

**CIRCULATOR, MODEL 2320-05**

FINISH: .63 U INCH OR BETTER EDGES: BREAK EDGES 1/32 R MAX.	SIZE	CAGE CODE	DWG NO.	REV
	B	1ZLK8	2320-05-0000	0
MATERIAL: REFERENCE	SCALE	NONE	Drawn By: L.J.N. Date: 3/20/2006	SHEET 1 of 1