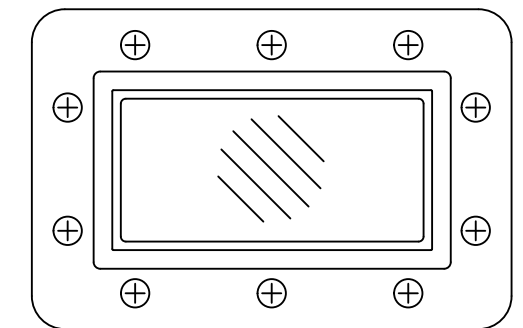
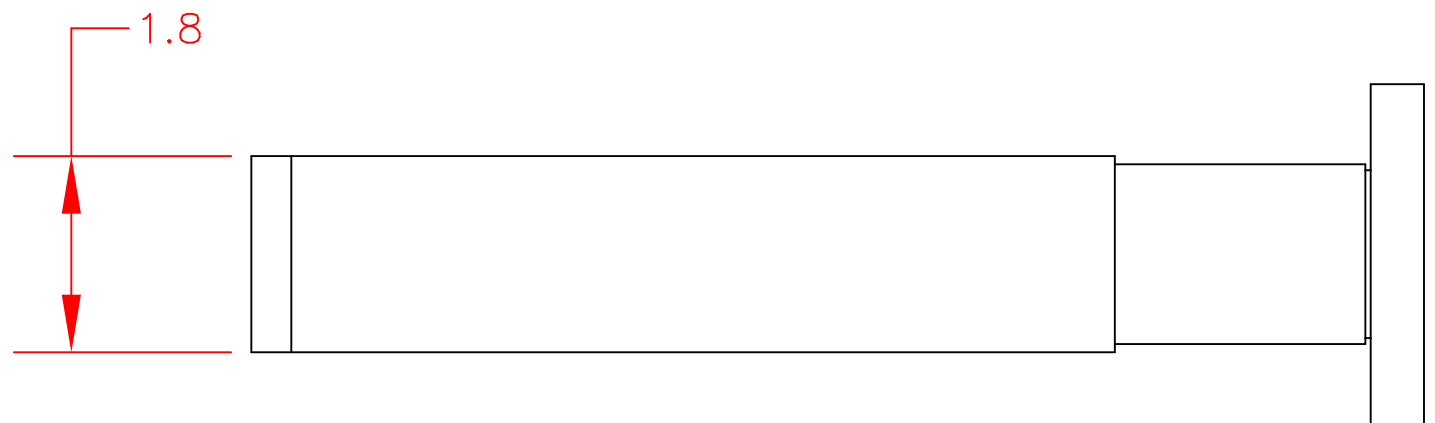
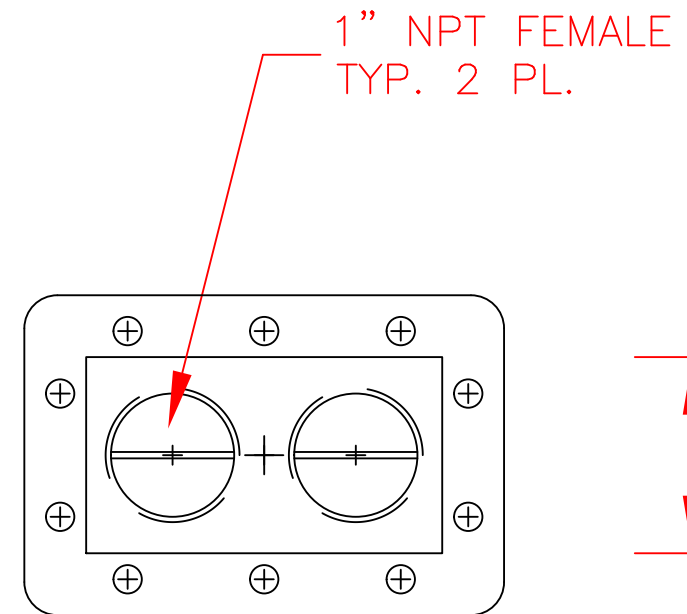
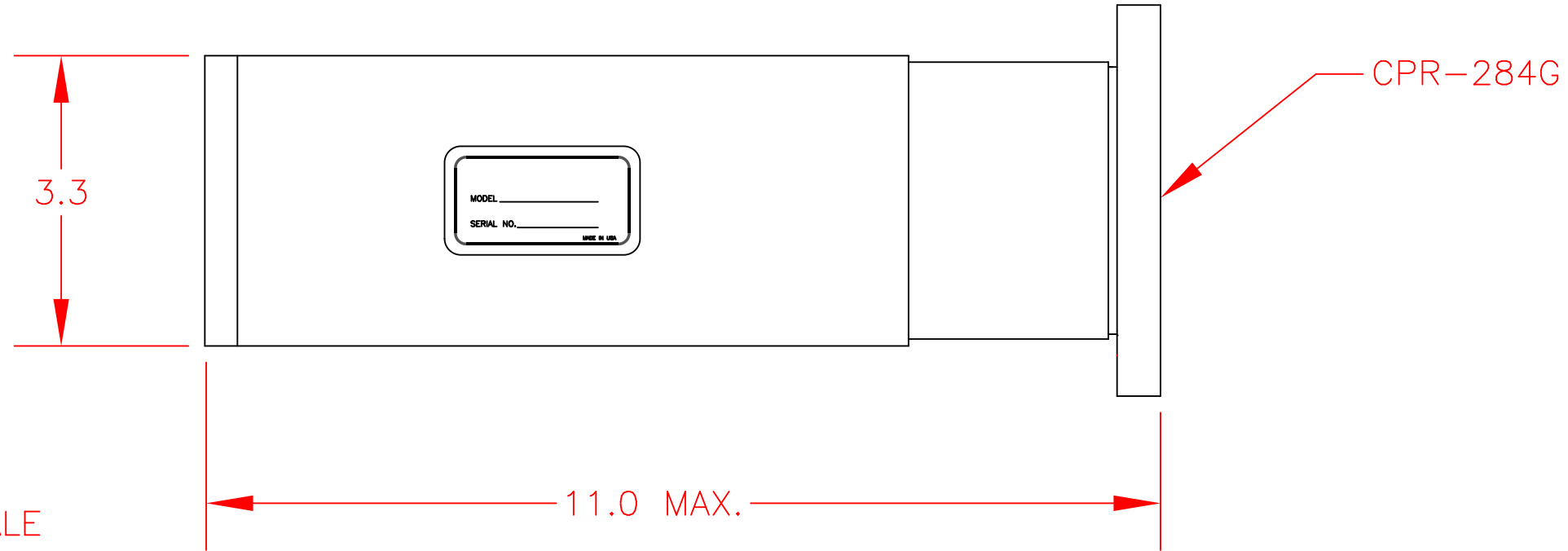


| REVISIONS | | | | |
|-----------|-----|-------------------------|-----------|-------------|
| ZONE | REV | DESCRIPTION | DATE | APPROVED |
| | 0 | RELEASED FOR PRODUCTION | 9/26/2012 | Lou Nielsen |



| | | | | |
|---|---------------------------|--|------------------------|--|
| TOLERANCES (UNLESS OTHERWISE SPECIFIED) DECIMALS: 1 PLACE +/- .050 2 PLACE +/- .020 3 PLACE +/- .005 FRACTIONS: +/- 1/16 ANGLES: +/- 1/2 DEGREE FINISH: 63 U INCH OR BETTER EDGES: BREAK EDGES 1/32 R MAX. | | CML Engineering, Inc. 2020 Ridgecrest Place, Escondido, CA 92029 TEL: 760-432-8490 FAX: 760-432-8350 | | |
| MATERIAL: REFERENCE | | WATERLOAD, MODEL 4320-27 | | |
| SIZE B | CAGE CODE 1ZLK8 | DWG NO. 4320-27-0000 | REV 0 | |
| SCALE NONE | Drawn By: L/JN | Date: 9/26/2012 | SHEET 1 of 1 | |