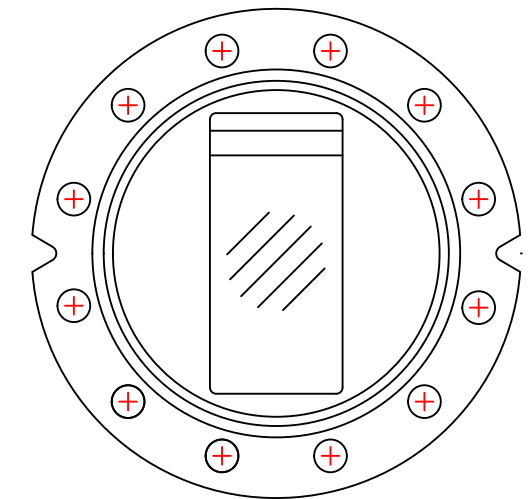
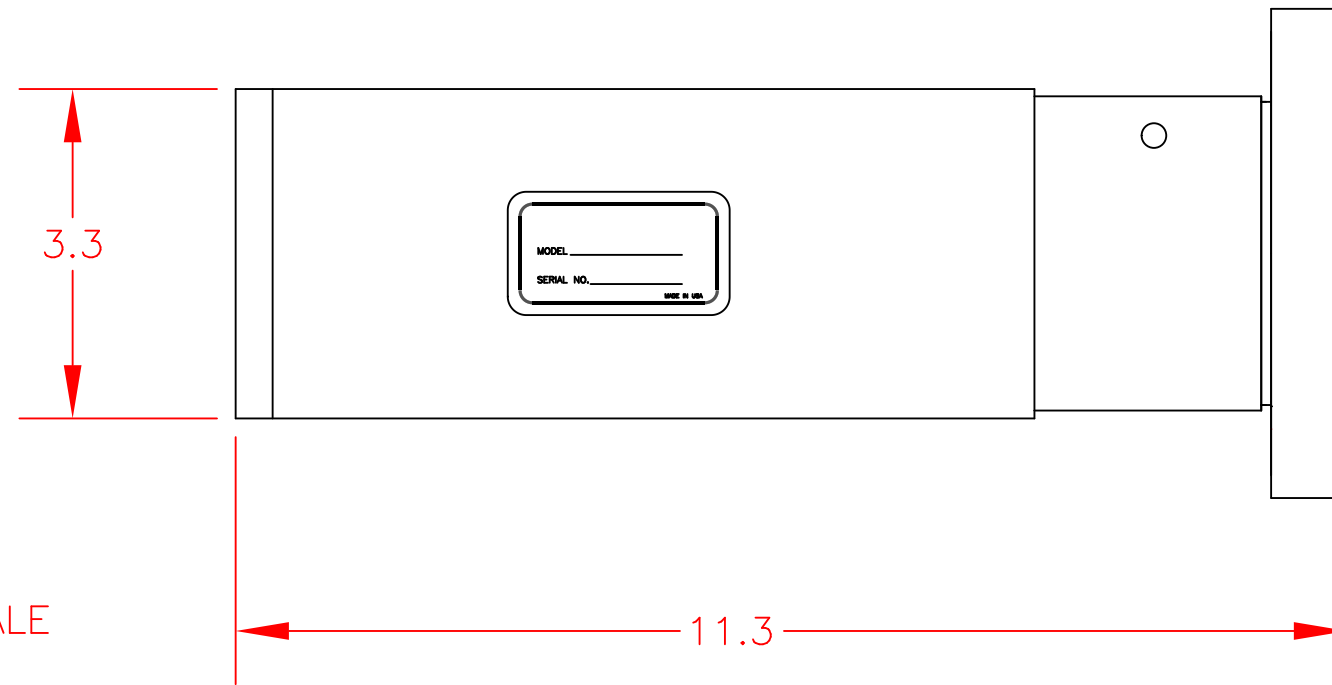
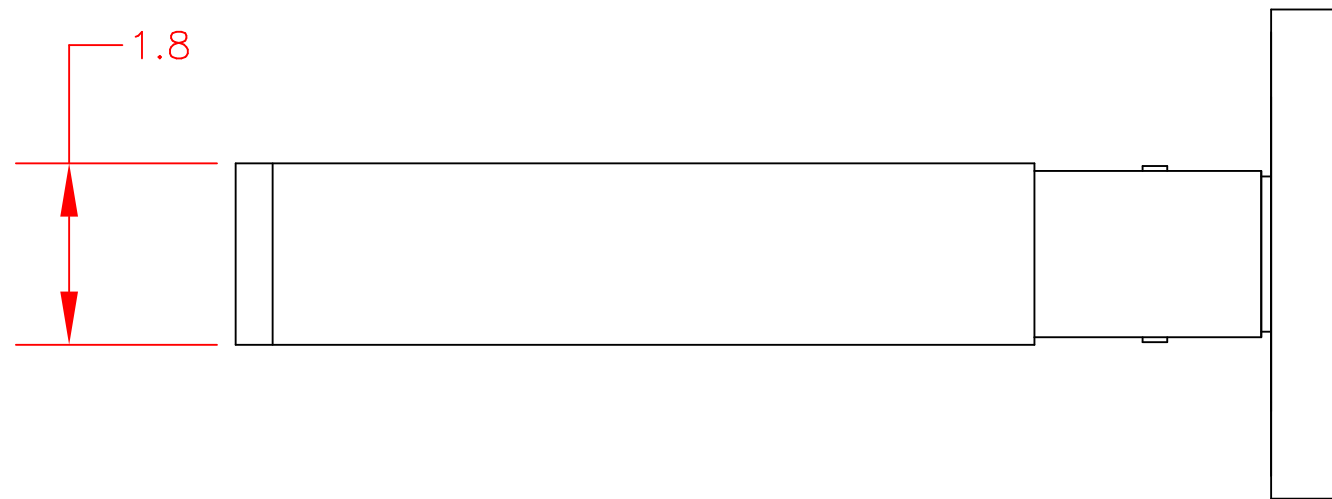
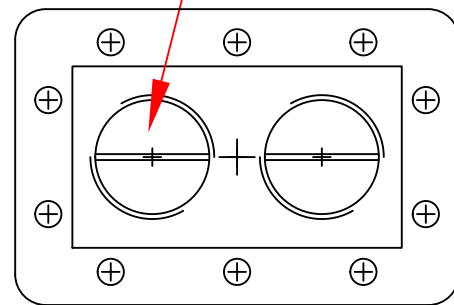


REVISIONS				
ZONE	REV	DESCRIPTION	DATE	APPROVED
	0	PRELIMINARY	01/23/2006	Lou Nielsen



1" NPT FEMALE  
TYP. 2 PL.



SKARPAAS FEMALE FLANGE

<b>TOLERANCES</b> (UNLESS OTHERWISE SPECIFIED) DECIMALS: 1 PLACE +/- .050 2 PLACE +/- .020 3 PLACE +/- .005 FRACTIONS: +/- 1/16 ANGLES: +/- 1/2 DEGREE FINISH: 63 U INCH OR BETTER EDGES: BREAK EDGES 1/32 R MAX.		<b>CML Engineering, Inc.</b> 2020 Ridgecrest Place, Escondido, CA 92029 TEL: 760-432-8490 FAX: 760-432-8350		
MATERIAL: REFERENCE		<b>WATERLOAD, MODEL 4320-22</b>		
SIZE <b>B</b>	CAGE CODE <b>12LK8</b>	DWG NO. <b>4320-22-0000</b>	REV <b>0</b>	
SCALE <b>NONE</b>	Drawn By: L/JN	Date: 01/23/2006	SHEET <b>1 of 1</b>	