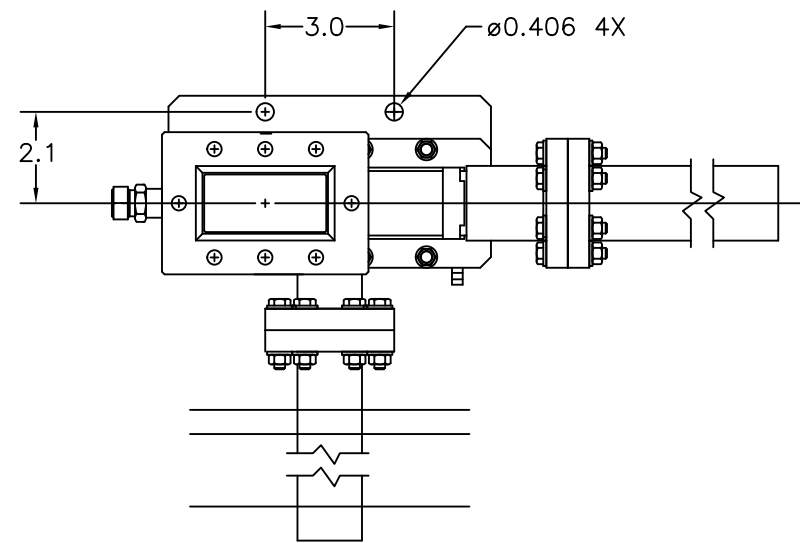
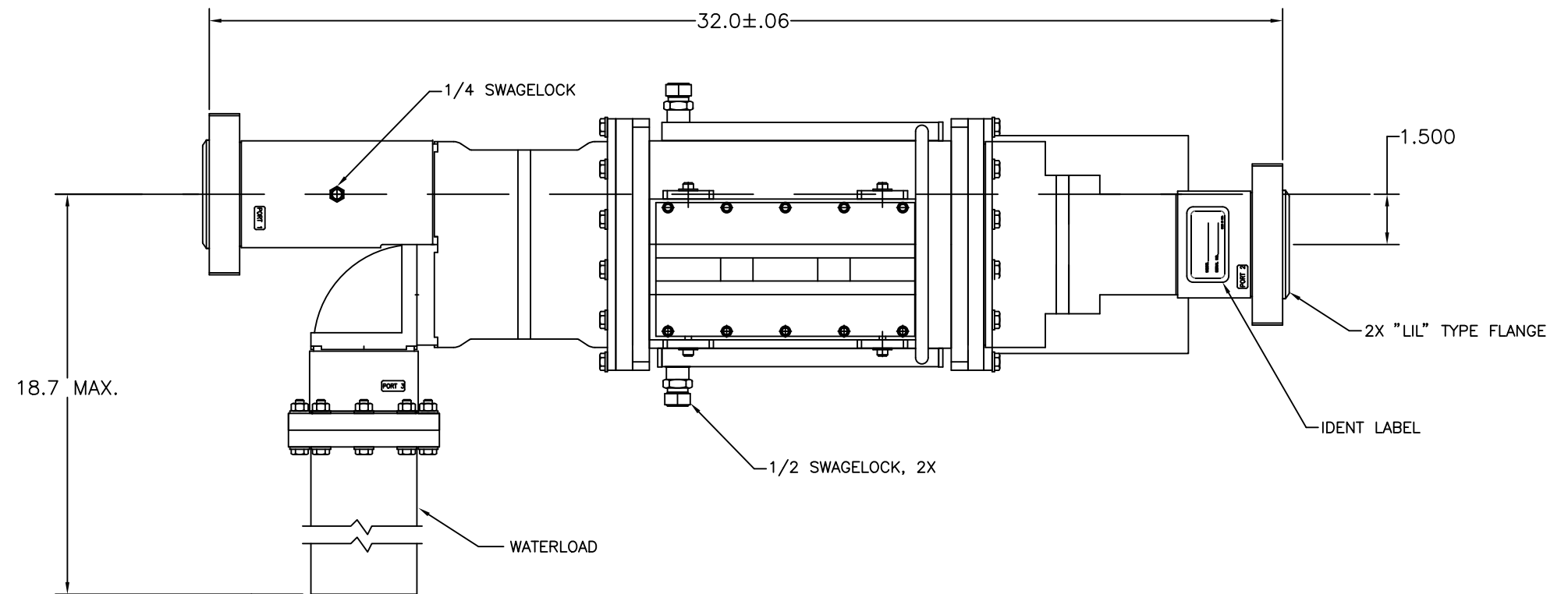
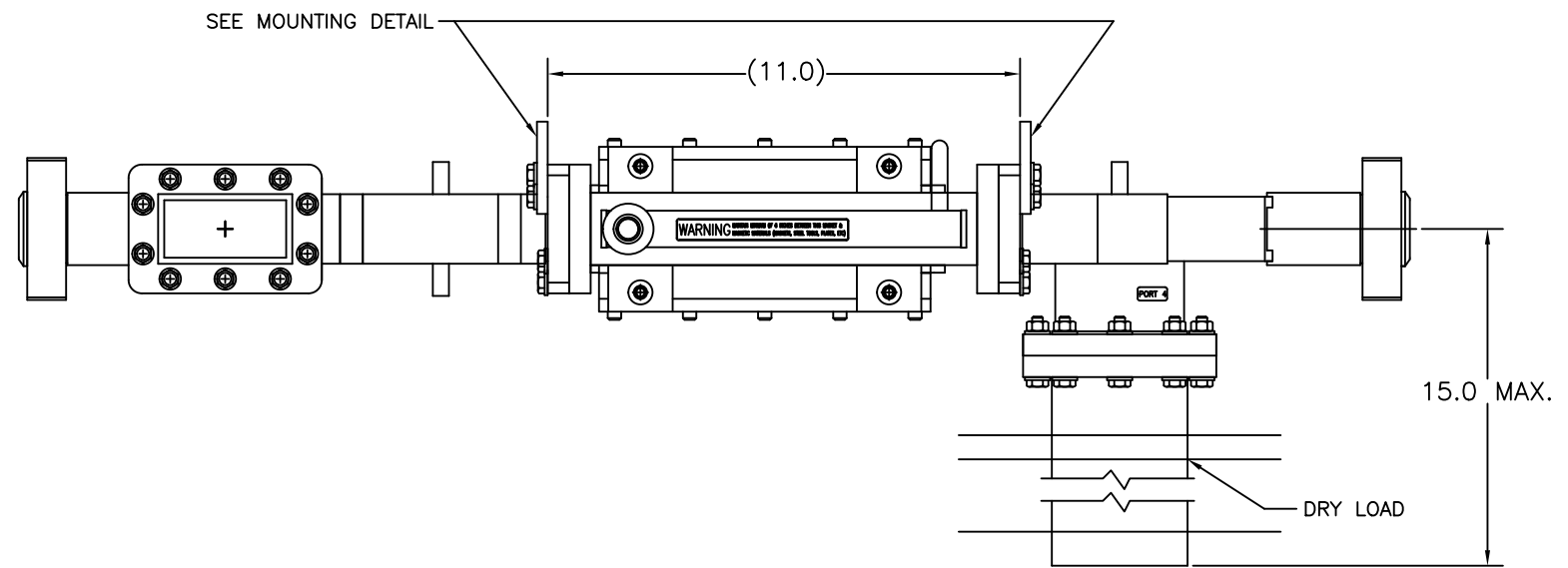


REVISIONS				
ZONE	REV	DESCRIPTION	DATE	APPROVED
	0	RELEASED FOR PRODUCTION	7/28/2014	Lou Nielsen



MOUNTING DETAIL



TOLERANCES  
(UNLESS OTHERWISE SPECIFIED)

DECIMALS: 1 PLACE +/- .050  
2 PLACE +/- .020  
3 PLACE +/- .005

FRACTIONS: +/- 1/16  
ANGLES: +/- 1/2 DEGREE

FINISH: 63 U INCH OR BETTER  
EDGES: BREAK EDGES 1/32 R MAX.

MATERIAL: REFERENCE

**CML Engineering, Inc.**

2020 Ridgecrest Place, Escondido, CA 92029 TEL: 760-432-8490 FAX: 760-432-8350

**ISOLATOR, MODEL 2320-15**

SIZE <b>B</b>	CAGE CODE <b>1ZLK8</b>	DWG NO. <b>2320-15-0000</b>	REV <b>0</b>
------------------	---------------------------	--------------------------------	-----------------

SCALE **NONE** Drawn By: L/JN Date: 7/28/2014 SHEET **1 of 1**