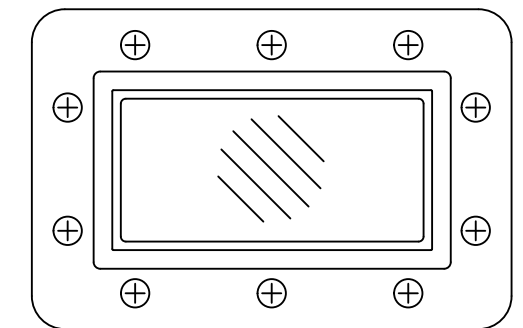
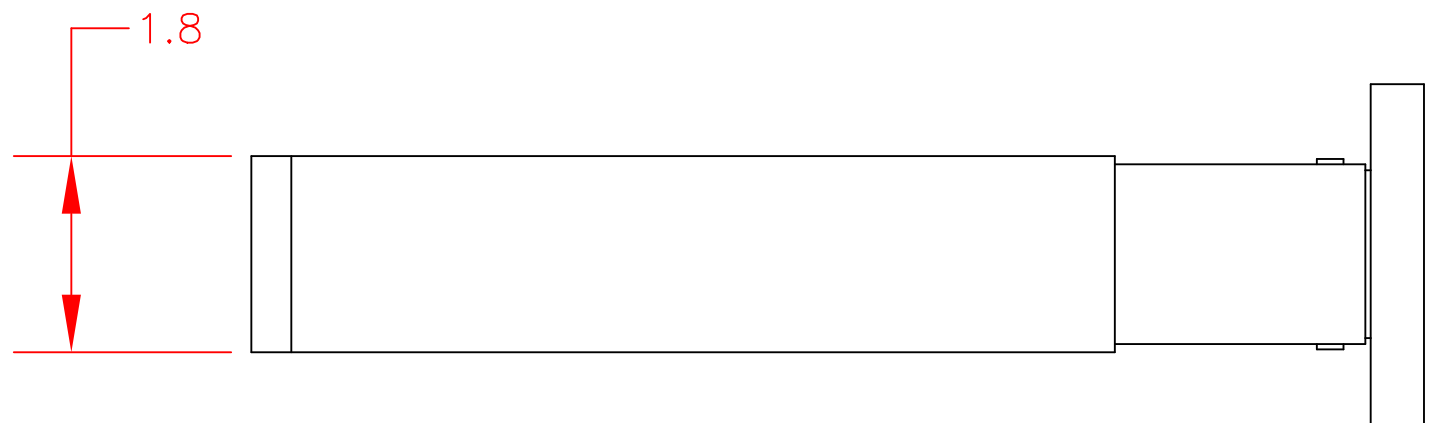
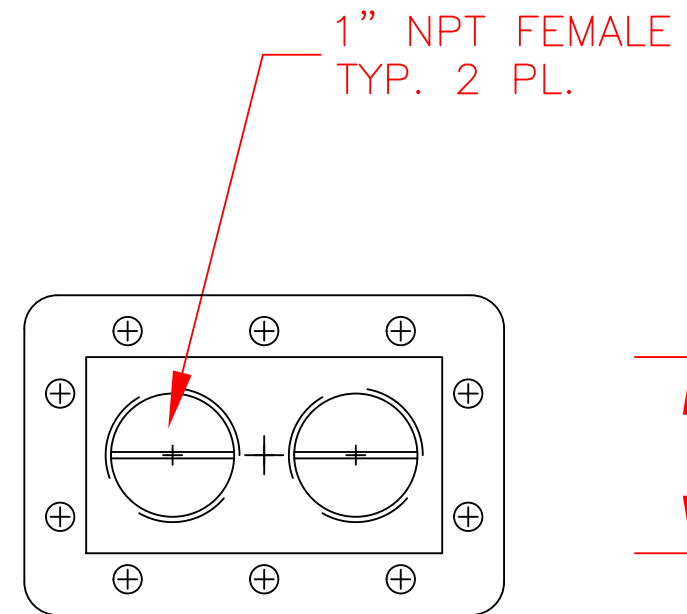
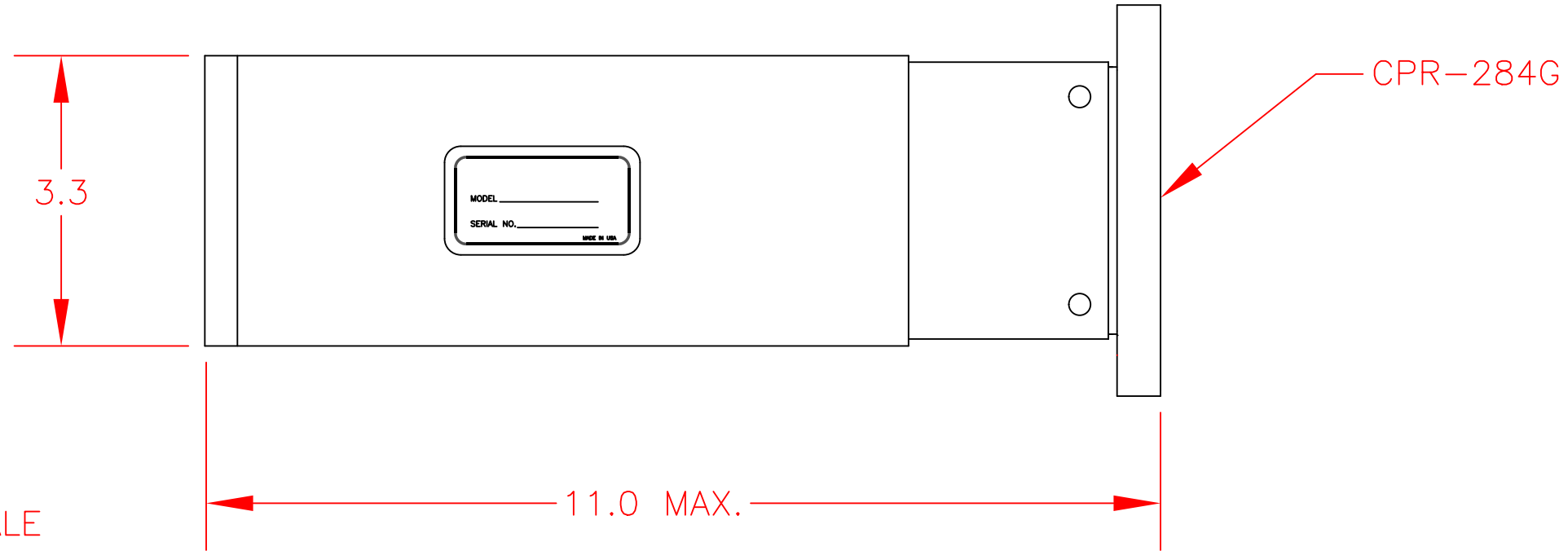


REVISIONS				
ZONE	REV	DESCRIPTION	DATE	APPROVED
	0	PRELIMINARY	01/23/2006	Lou Nielsen



TOLERANCES (UNLESS OTHERWISE SPECIFIED) DECIMALS: 1 PLACE +/- .050 2 PLACE +/- .020 3 PLACE +/- .005 FRACTIONS: +/- 1/16 ANGLES: +/- 1/2 DEGREE		CML Engineering, Inc. 2020 Ridgecrest Place, Escondido, CA 92029 TEL: 760-432-8490 FAX: 760-432-8350		
FINISH: 63 U INCH OR BETTER EDGES: BREAK EDGES 1/32 R MAX.		WATERLOAD, MODEL 4320-16		
MATERIAL: REFERENCE		SIZE B	CAGE CODE	DWG NO. 4320-16-0000
		SCALE NONE	Drawn By: L/JN Date: 01/23/2006	REV 0 SHEET 1 of 1