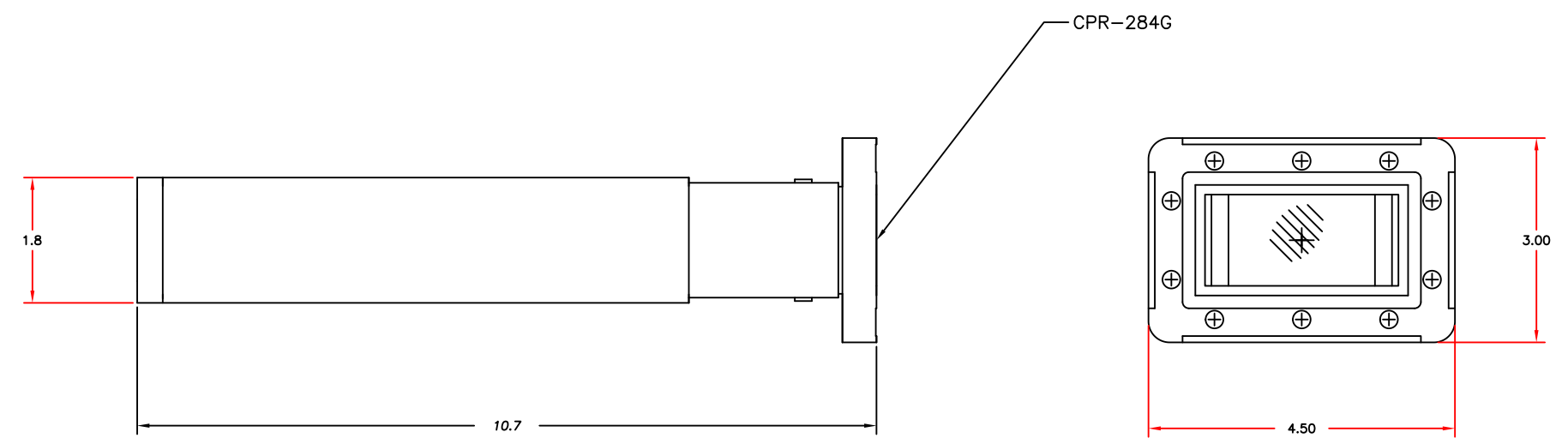
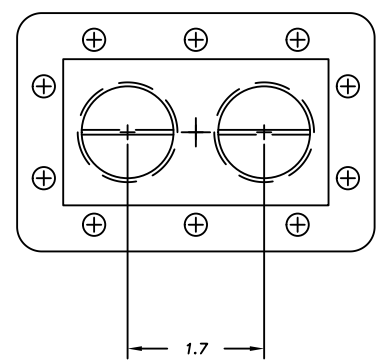


RELEASE / REVISION		DATE	APPROVAL
SYM	DESCRIPTION		
①	RBL. PBR ENGR. RBL # 788	1/4/96	H. MOHR
②	REVISED PBR BCN 788-001	12/6/98	H. MOHR
③	REVISED PBR BCN 788-002		



UNLESS OTHERWISE SPECIFIED		BY	DATE
✓ 25	MAX. ALL MACHINED SURFACES PER MIL-STD-10A.	DR Jim Miller	12/95
BRK	ALL SHARP EDGES 1/32 MAX REMOVE ALL BURRS.	CHK ENGR Hans Mohr	1/4/96
TOLERANCES:		Q.A. Clyde Harris	1/8/96
DECIMALS	FRACTIONS	THIS DRAWING IS PROPERTY OF CML ENGINEERING. REPRODUCTION PROHIBITED WITHOUT WRITTEN PERMISSION.	
.X ±.05	±1/16		
.XX ±.02	ANGLES		
.XXX ±.005	±0°30'		
MATERIAL:	FINISH:	DRAWING NO. 4320-14-0000	
SEE L/M		REV. 0	
		SCALE 1=1	SHEET 1 of 1

CML ENGINEERING SALES, INC.
2020 RIDGECREST PL, ESCONDIDO, CA 92029

MODEL 4320-14