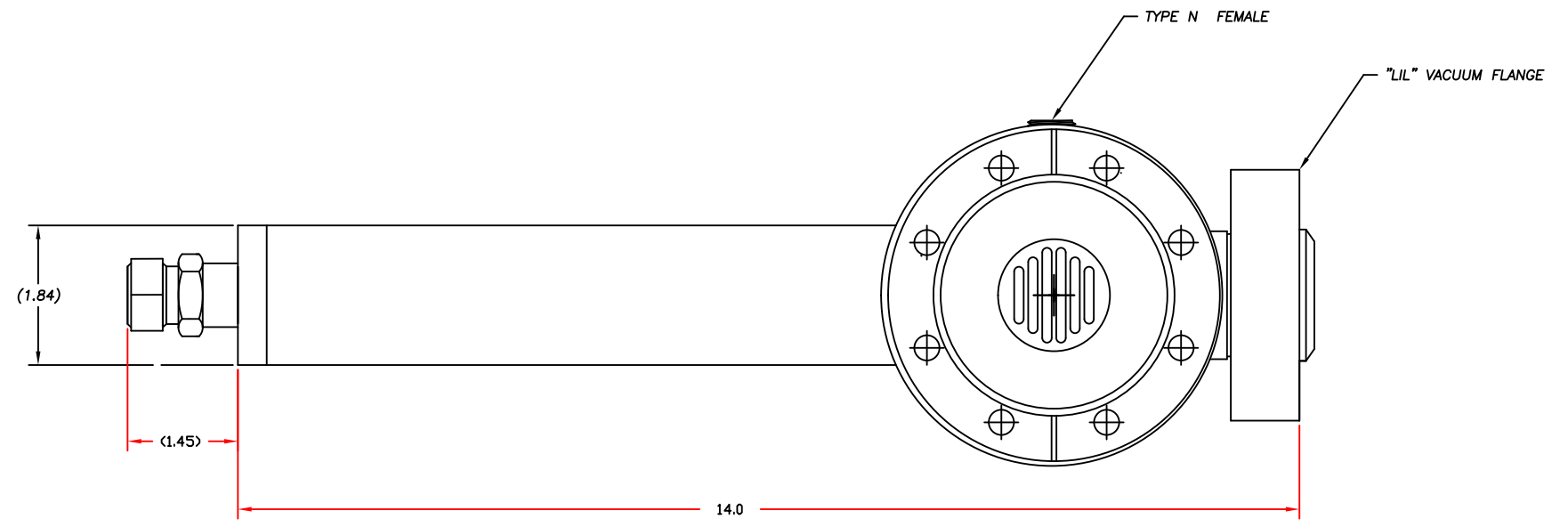
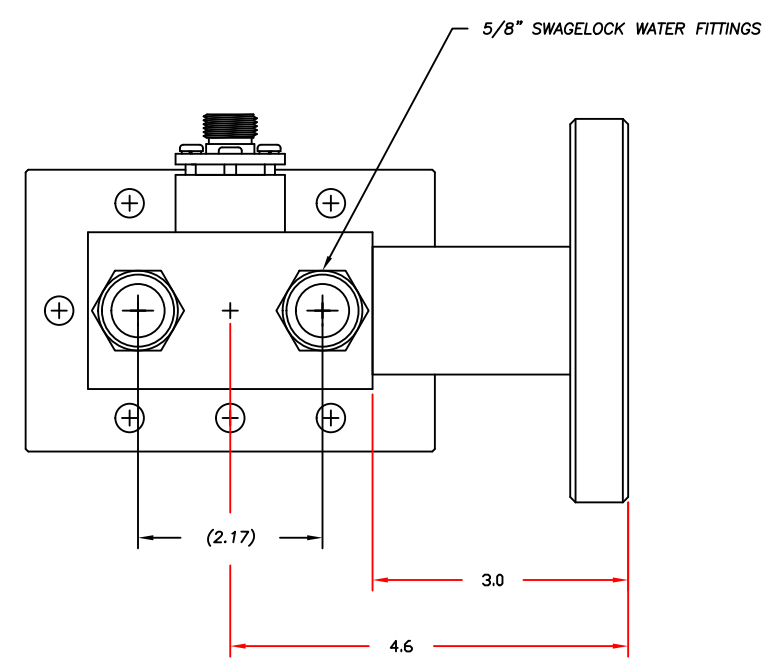
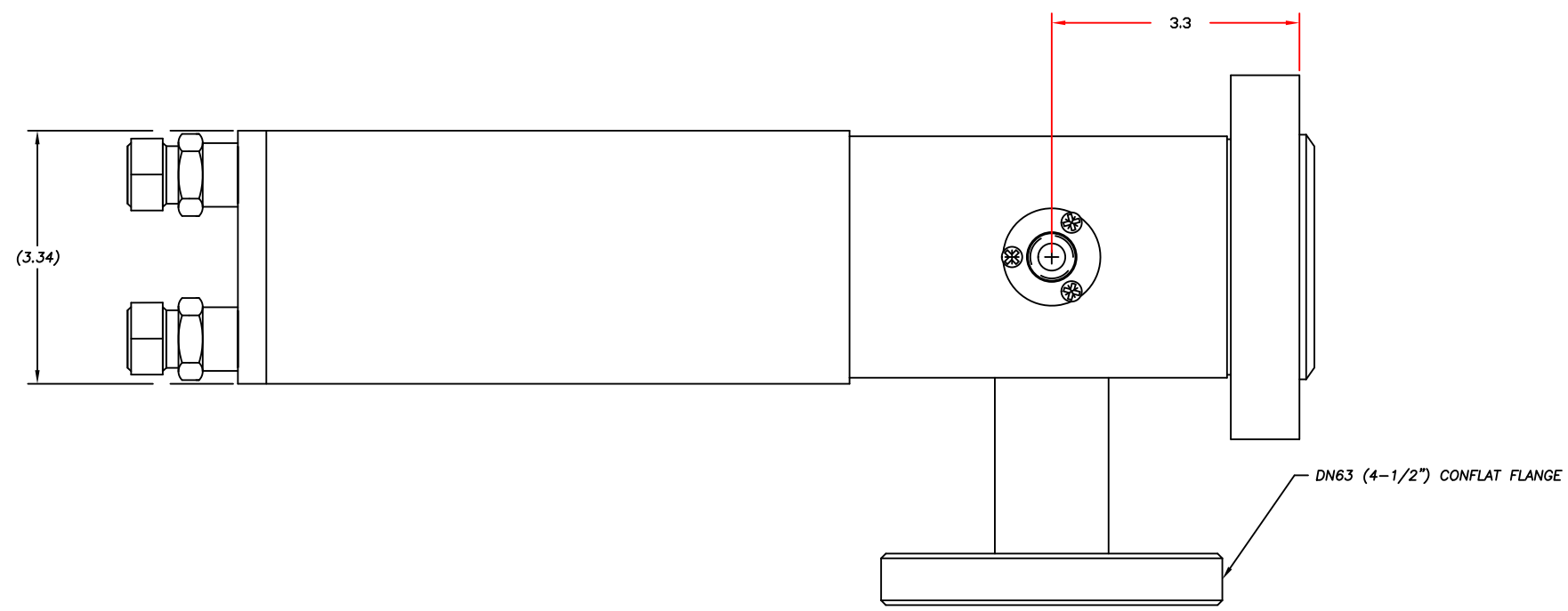


RELEASE / REVISION		DATE	APPROVAL
SYM	DESCRIPTION		
0	RELEASED FOR PRODUCTION		



QTY	PART OR IDENT. NUMBER	NOMENCLATURE OR DESCRIPTION	ITEM NO.
0	NA		
REV.	NEXT ASSY	REF. NO.	

UNLESS OTHERWISE SPECIFIED		BY	DATE
1/25" MAX. ALL MACHINED SURFACES PER MIL-STD-10A		DR	
BREAK ALL SHARP EDGES 1/32 MAX		CHK	
REMOVE ALL BURRS		ENGR	
		MFG	

DECIMALS	FRACTIONS	Q.A.
.X ±.05	±1/16	THIS DRAWING IS PROPERTY OF CML ENGINEERING. REPRODUCTION PROHIBITED WITHOUT WRITTEN PERMISSION.
.XX ±.02	ANGLES	
.XXX ±.005	±0°30'	

MATERIAL:	FINISH:	

LIST OF MATERIALS OR PARTS LIST		CML ENGINEERING SALES, INC. 2020 RIDGECREST PL, ESCONDIDO, CA 92029	
		MODEL 4320-34	
		OUTLINE DRAWING	
		DRAWING NO.	REV.
		4320-34-0000	0
		SCALE 1=1	SHEET 1 of 1