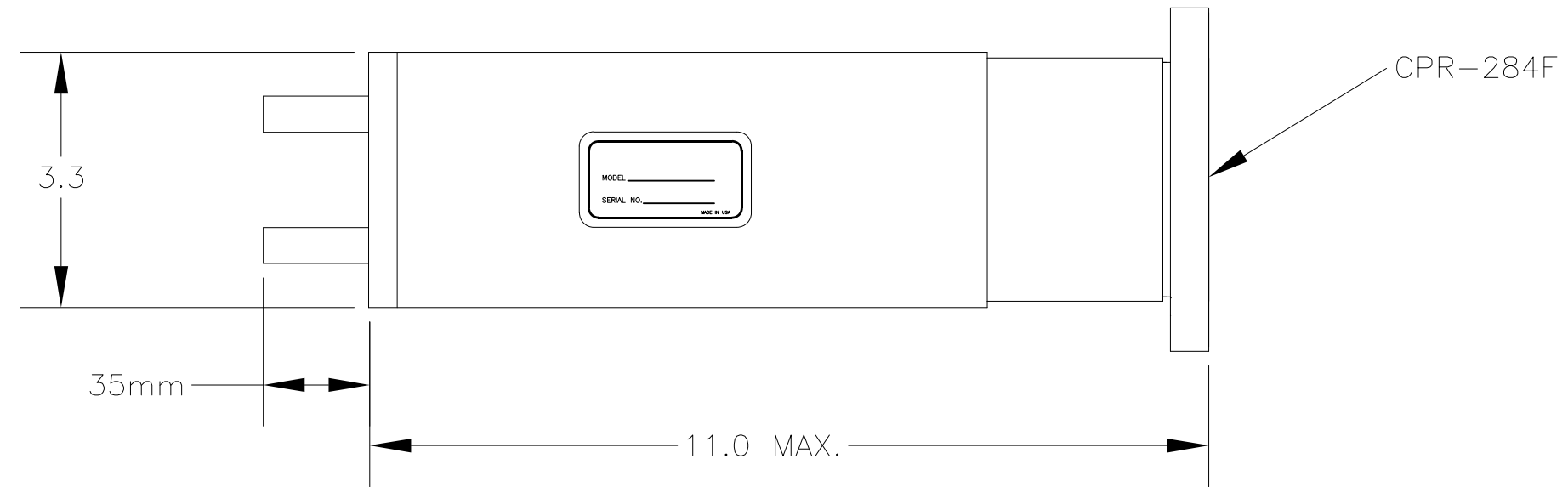
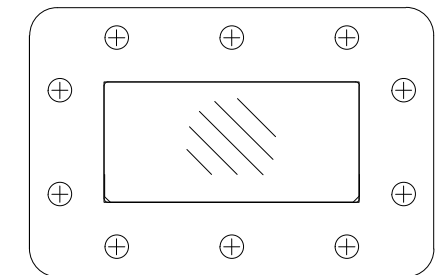
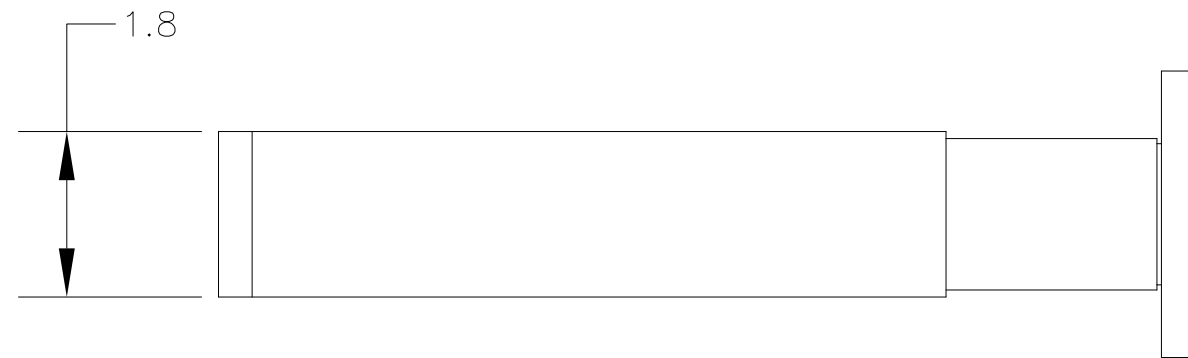
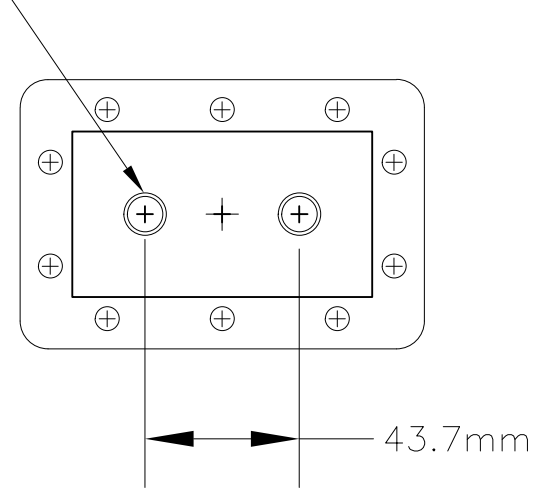


REVISIONS				
ZONE	REV	DESCRIPTION	DATE	APPROVED
	0	RELEASED FOR PRODUCTION	11/30/2015	Lou Nielsen



O.D. 12mm
I.D. 10mm
TYP. 2PL.



TOLERANCES (UNLESS OTHERWISE SPECIFIED) DECIMALS: 1 PLACE +/- .050 2 PLACE +/- .020 3 PLACE +/- .005 FRACTIONS: +/- 1/16 ANGLES: +/- 1/2 DEGREE		CML Engineering, Inc. 2020 Ridgecrest Place, Escondido, CA 92029 TEL: 760-432-8490 FAX: 760-432-8350		
FINISH: 63 U INCH OR BETTER EDGES: BREAK EDGES 1/32 R MAX.		SIZE B	CAGE CODE 12LK8	DWG NO. 4320-38-0000
MATERIAL: REFERENCE		SCALE NONE	Drawn By: L/JN Date: 11/30/2015	SHEET 1 of 1

CML Engineering, Inc.

2020 Ridgecrest Place, Escondido, CA 92029 TEL: 760-432-8490 FAX: 760-432-8350

WATERLOAD, MODEL 4320-38

SIZE B CAGE CODE 12LK8 DWG NO. 4320-38-0000 REV 0

SCALE NONE Drawn By: L/JN Date: 11/30/2015 SHEET 1 of 1