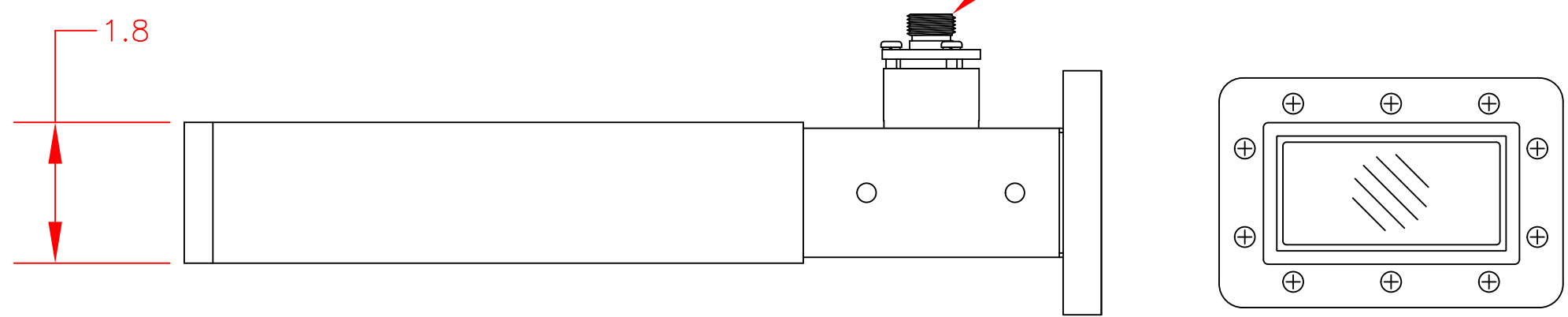
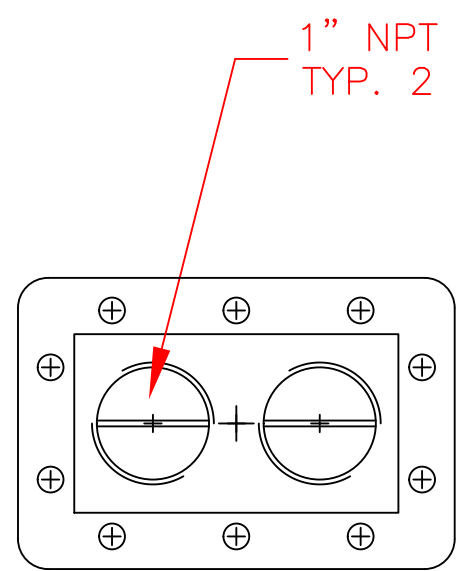
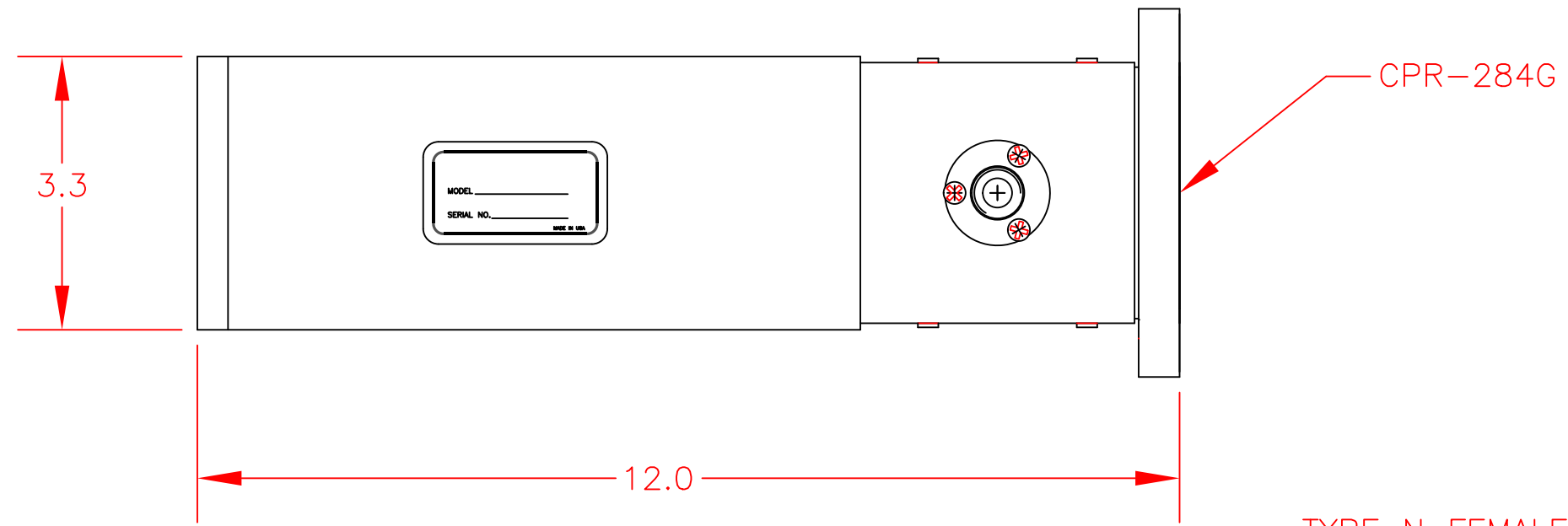


REVISIONS				
ZONE	REV	DESCRIPTION	DATE	APPROVED
	0	PRELIMINARY	01/6/2008	Lou Nielsen



TOLERANCES (UNLESS OTHERWISE SPECIFIED) DECIMALS: 1 PLACE +/- .050 2 PLACE +/- .020 3 PLACE +/- .005 FRACTIONS: +/- 1/16 ANGLES: +/- 1/2 DEGREE FINISH: 63 U INCH OR BETTER EDGES: BREAK EDGES 1/32 R MAX. MATERIAL: REFERENCE		CML Engineering, Inc. 2020 Ridgecrest Place, Escondido, CA 92029 TEL: 760-432-8490 FAX: 760-432-8350 WATERLOAD, MODEL 4320-23	
SIZE B	CAGE CODE	DWG NO. 4320-23-0000	REV 0
SCALE NONE	Drawn By: L/JN	Date: 01/6/2008	SHEET 1 of 1