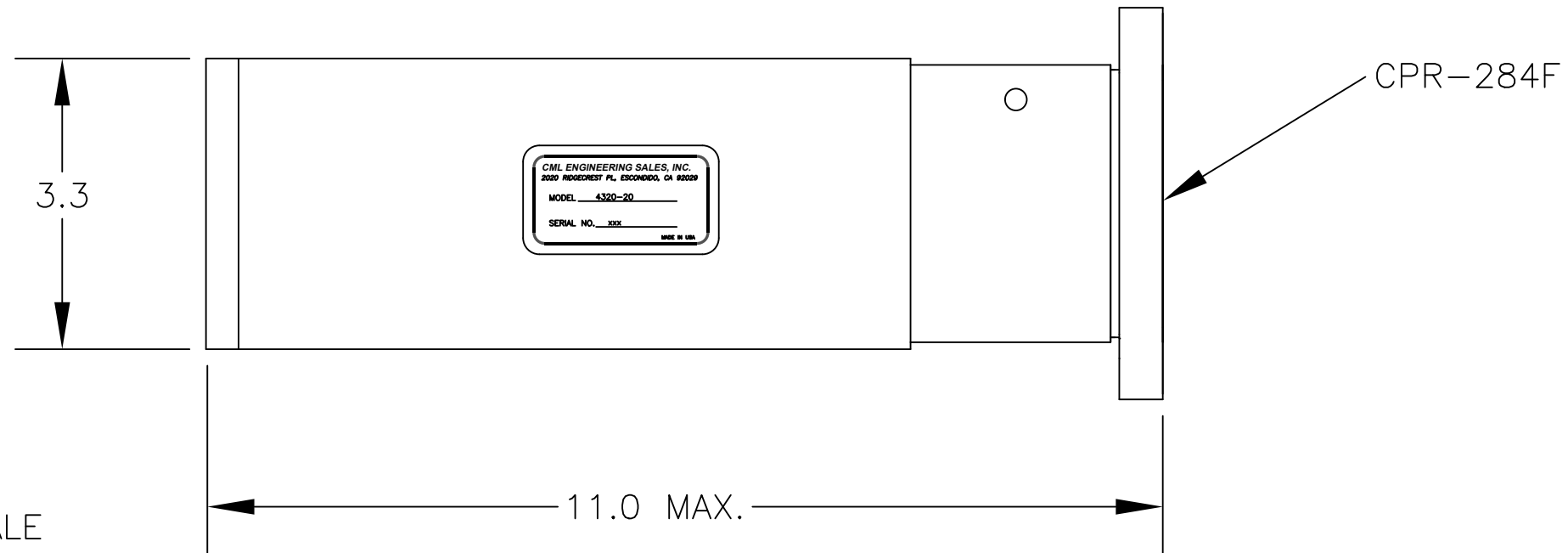
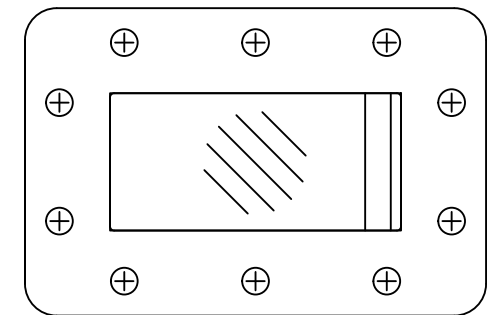
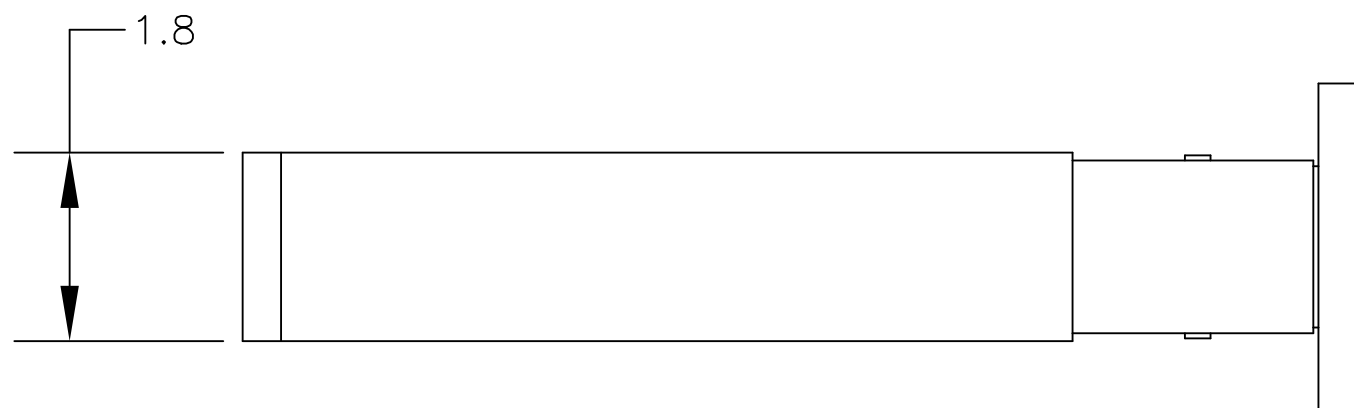
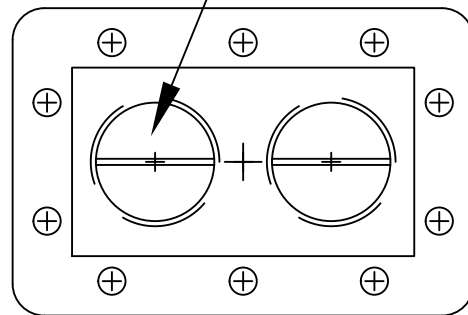


REVISIONS				
ZONE	REV	DESCRIPTION	DATE	APPROVED
	0	RELEASED FOR PRODUCTION	01/23/2016	Lou Nielsen



1" NPT FEMALE
TYP. 2 PL.



**TOLERANCES
(UNLESS OTHERWISE SPECIFIED)**

DECIMALS: 1 PLACE +/- .050
2 PLACE +/- .020
3 PLACE +/- .005

FRACTIONS: +/- 1/16
ANGLES: +/- 1/2 DEGREE

FINISH: 63 U INCH OR BETTER
EDGES: BREAK EDGES 1/32 R MAX.

MATERIAL: REFERENCE

CML Engineering, Inc.

684 Rancheros Drive, San Marcos, CA 92069 TEL: 760-591-0980 FAX: 760-591-0979

WATERLOAD, MODEL 4320-40

SIZE B CAGE CODE 12LK8 DWG NO. 4320-40-0000 REV 0

SCALE NONE Drawn By: L/JN Date: 01/23/2016 SHEET 1 of 1